

Application:

The wall diffuser type WTPP is suitable for the supply of cooled air with a big temperature difference compared with the room temperature. Due to its very sturdy design its particularly suitable for areas with a high risk of vandalism, i.e. police stations, security cells. The diffuser can not be removed from the front and has to be mounted from the back, mounting angles are supplied.

A return version WRPP is available.

Features:

free area: 45%

Remarks:

The stated dimensions are sizes in mm.
The dimensions W x H are the recommended hole or duct sizes.
Wall thickness must be specified.

WTPP

- ▶ Wall diffuser
- ▶ Supply
- ▶ Security

Design:

Wall diffuser

frame: steel, 3 mm
front sheet: steel, 3 mm holes
 staged pitch 5 mm
finish: epoxy powder
colour: white RAL 9010

Sleeve

material: mild steel

Available types:

W T P P - -

W wall diffuser
T supply
P perforated front sheet (R4.5, T6)
P security

- accessories

O no accessories
V damper

- options

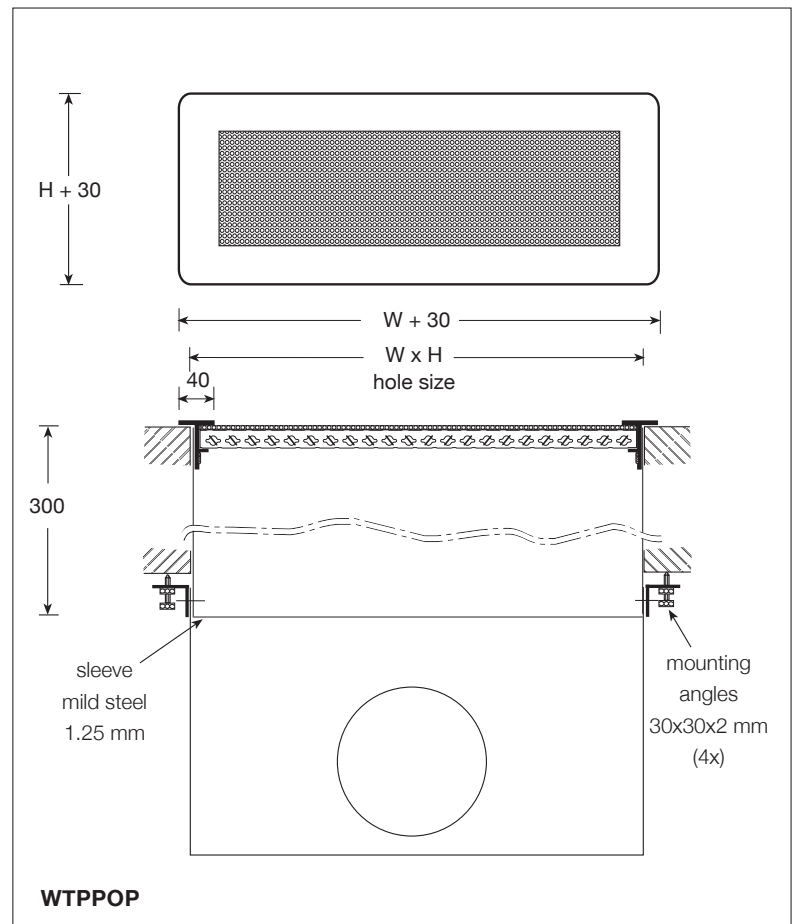
S sleeve, 300 mm (depth to be confirmed)
P sleeve + plenum
O none

circular spigot connections
available upon request.
Size to be confirmed

*note

various mesh can be used in the diffuser face plate, different free areas will affect performance data.

Dimensions:



Performance data WTPP:

Air volume		H	W = 225			325			425			525		
m ³ /s	m ³ /h		T	Ps	Lp	T	Ps	Lp	T	Ps	Lp	T	Ps	Lp
0.015	54	125	2.0	5	-									
0.020	72	125	2.7	9	-	2.0	4	-						
0.030	108	125	4.0	21	13	2.7	9	-	2.1	5	-			
0.040	144	125	5.3	38	22	3.4	15	-	2.9	8	-	1.9	5	-
0.050	180	125	6.6	59	29	4.5	24	17	3.5	13	-	2.6	8	-
0.060	216	125	7.9	85	34	5.4	34	22	4.2	18	14	3.1	11	-
0.070	252	125				6.4	47	27	4.8	25	19	3.7	16	13
0.080	288	125				7.3	61	31	5.5	33	23	4.4	20	17
0.080	288	225							3.9	6	-			
0.100	360	125							6.9	51	30	5.5	32	24
0.100	360	225							5.2	9	-	4.2	6	-
0.125	450	125										6.9	50	31
0.125	450	225							6.5	15	15	5.2	9	-
0.150	540	225							7.8	21	20	6.3	13	14
0.200	720	225							10.5	38	29	8.4	23	23
0.250	900	225							12.9	59	36	10.2	37	30
0.300	1080	225										12.1	53	35
m ³ /s	m ³ /h	H	T	Ps	Lp	T	Ps	Lp	T	Ps	Lp	T	Ps	Lp

Above based on standard mesh R4.5 T6

General:

- Throw T in metres.
- Static pressure drop Ps in Pa.
- The adopted room absorption is 10 dB.
sound pressure level Lp in dB(A).

Interpolation of intermediate values is acceptable.

In case of return use: Lp + 5 dB, Ps x 1.1

Remarks:

The diffuser should be mounted 0.2 m below the ceiling.
In case of an even lower mounting, the air flow will not stick to the ceiling during cooling and this may develop an unstable air pattern.
Consult our technicians.