

PHC-H/V

- > Linear Slot Diffuser
- > High Capacity
- > Horizontal or Vertical

DESCRIPTION

High capacity single slot linear diffuser available in five slot widths designed for Drywall and T-Bar mounting. This series can be custom curved (concave and convex) to integrate harmoniously into interior commercial building designs.

CONSTRUCTION

Extruded aluminium with galvanised steel pattern controllers

Finish:

AW polyester powder finish RAL 9010 semi-gloss with black pattern controllers

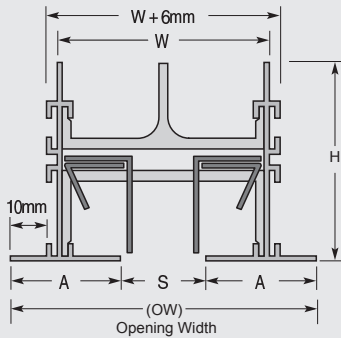
Options:

- Insulation
- Border styles
- Mitred corners
- Transitions
- End border configurations

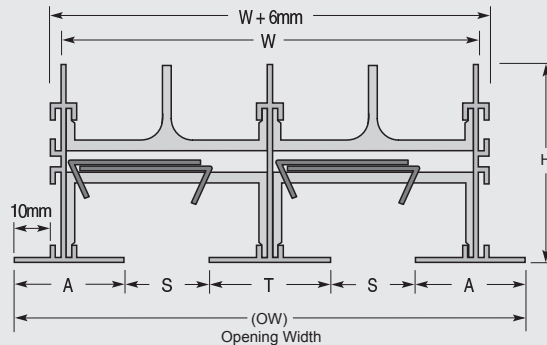
MODELS

- PHC-H25:** 25 mm horizontal slot
PHC-H38: 38 mm horizontal slot
PHC-H51: 51 mm horizontal slot
PHC-H64: 64 mm horizontal slot
PHC-H76: 76 mm horizontal slot
- PHC-V25:** 25 mm vertical slot
PHC-V38: 38 mm vertical slot
PHC-V51: 51 mm vertical slot
PHC-V64: 64 mm vertical slot
PHC-V76: 76 mm vertical slot

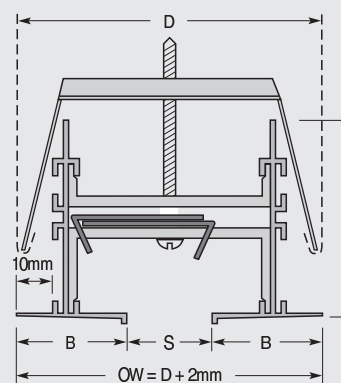
STANDARD Frame (1 Slot Vertical)



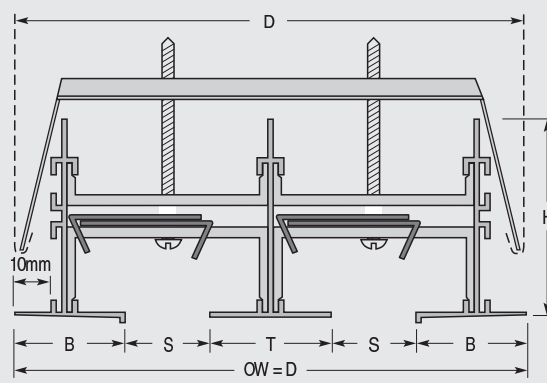
STANDARD Frame (2 Slot Vertical)



TAPERED Fixing (1 Slot Horizontal)



TAPERED Fixing (2 Slot Horizontal)



STANDARD – DIMENSIONS (mm)

S Slot	1 Slot		2 Slot		A/B	H	T 2 Slot
	W	OW	W	OW			
25	64	90	125	152	33	60	37
38	89	116	176	203	39	67	49
51	114	141	227	254	45	73	62
64	140	167	278	305	52	79	75
76	165	192	329	356	58	86	87

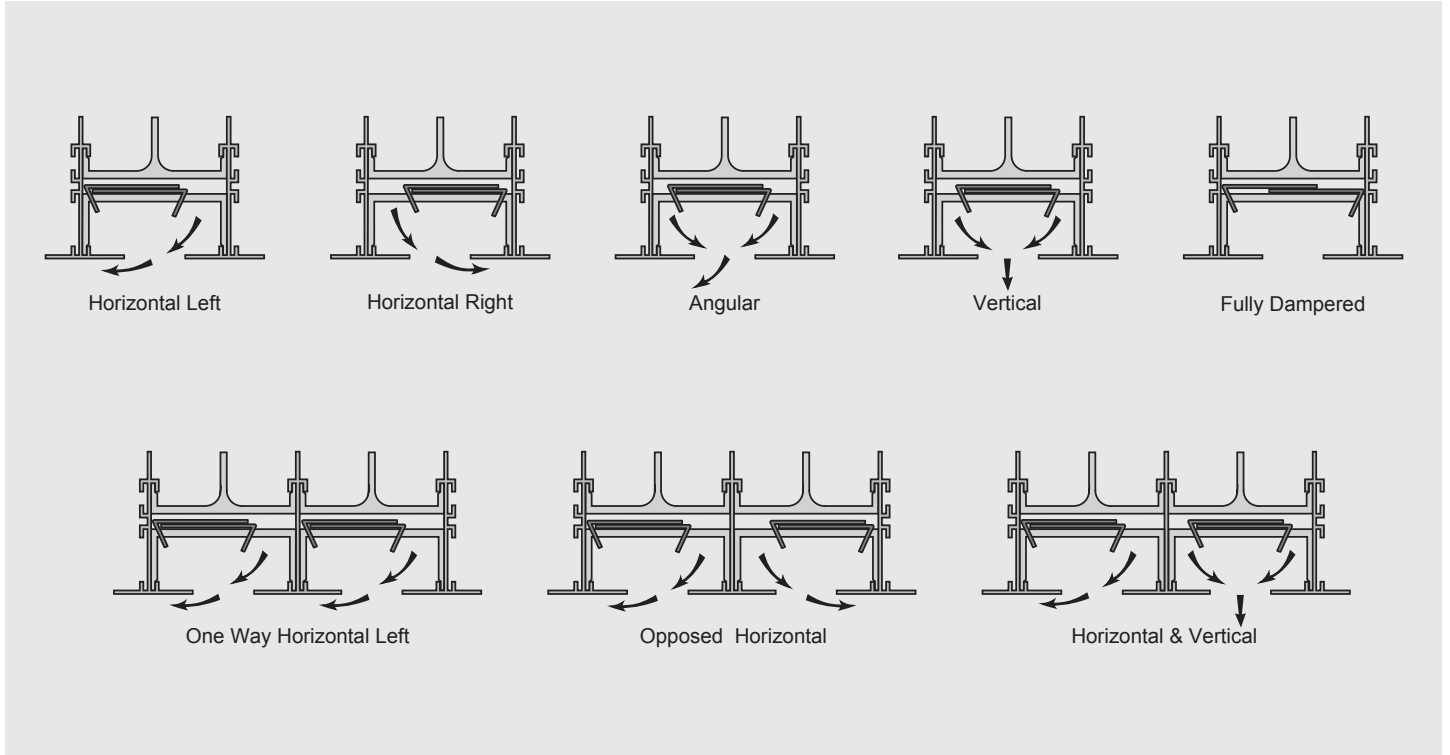
TAPERED – DIMENSIONS (mm)

S Slot	D Width		A/B	H	T			OW
	1 Slot	2 Slot			2 Slot	1 Slot	2 Slot	
25	89	152	33	60	37	76	140	
38	114	203	39	67	49	102	191	
51	140	254	45	73	62	127	241	
64	165	305	52	79	75	152	292	
76	191	356	58	86	87	178	343	

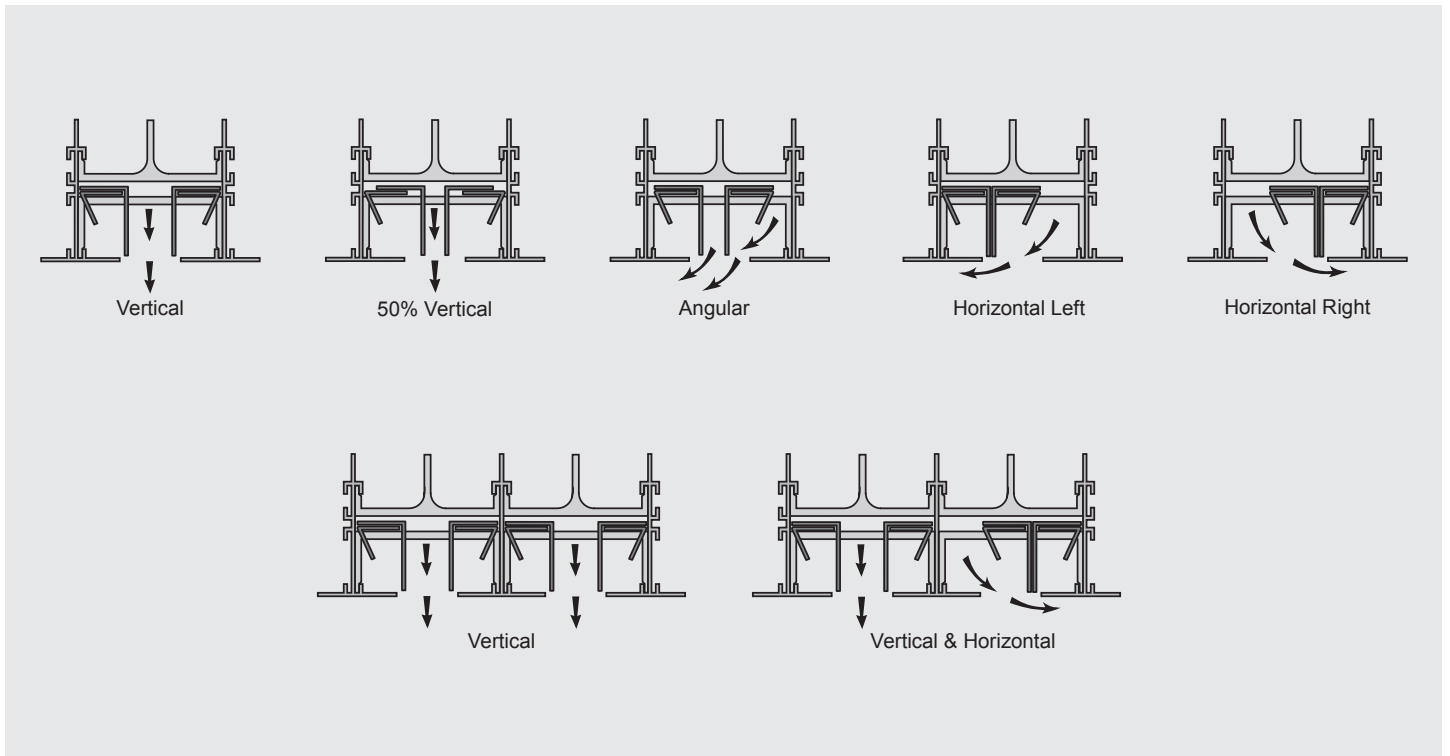
A/B = Border Width. OW = Opening Width

PHC – PATTERN CONTROLLER

PHC-H (Horizontal) Adjustments



PHC-V (VERTICAL) Adjustments



NOTES

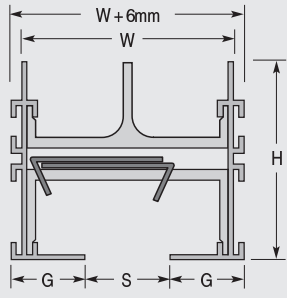
All dimensions are given in mm. Standard Concealed Frame also available with the same dimensional data.

ACCESSORIES

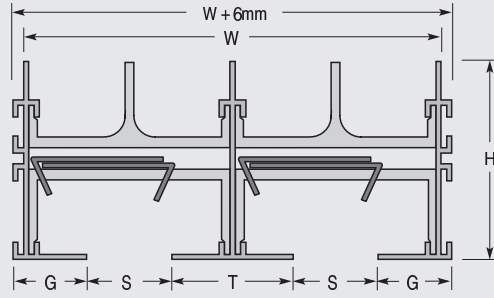
Blank-Offs (25, 38, 51, 64, 76)

PHC - OPTIONS

FLANGELESS Frame (1 Slot)



FLANGELESS Frame (2Slot)



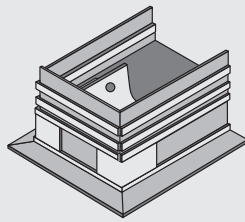
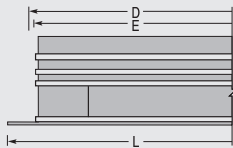
FLANGELESS - DIMENSIONS (mm)

S Slot	Slot		A	G	H	T
	1	2	Width	Width	2 Slot	2 Slot
25	64	125	33	22	60	37
38	89	176	39	29	67	49
51	114	227	45	35	73	62
64	140	278	52	41	79	75
76	165	329	58	48	86	87

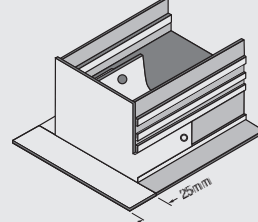
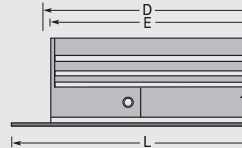
A single 10 mm flange on either side is available

End Border Configurations

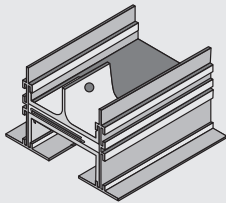
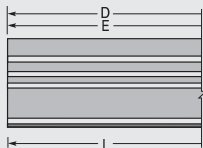
Mitred End (M)



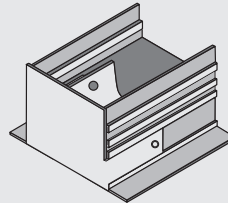
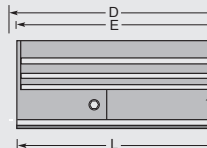
Flanged Cap End (F)



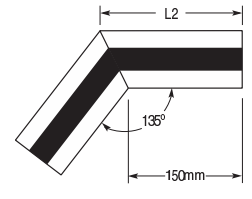
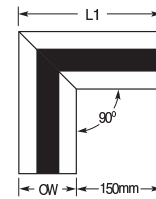
Open End (O)



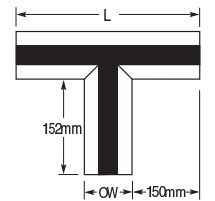
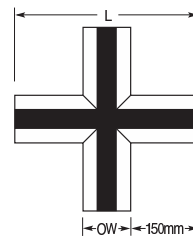
Flat End Cap (C)



Mitred Corners (90° & 135°)



Transitions (X & T)



OVERALL LENGTH - DIMENSIONS (mm)

D = Duct Length E = End Cap Position L = Overall Length

Type	M M		M O		M C		O O		O C		C C		F F		F O		F C	
	E	L	E	L	E	L	E	L	E	L	E	L	E	L	E	L	E	L
Standard/ Concealed	D-6	D+14	D-3	D+7	D-2	D+9	D	D	D-2	D-2	D-3	D-3	D-6	D+41	D-3	D+21	D-2	D+22
Concealed/ Tapered	D-6	D+14	D-3	D+7	D-2	D+9	D	D	D-2	D-2	D-3	D-3	N/A	N/A	N/A	N/A	N/A	N/A
Flangeless	N/A	N/A	N/A	N/A	N/A	N/A	D	D	D-2	D-2	D-3	D-3	D-6	D+41	D-3	D+21	D-2	D+22

PHC-H – 1 Slot Horizontal

25 mm SLOT WIDTH															
Horizontal 1 slot 150 diameter inlet															
600 mm															
Airflow	12	24	35	47	59	71	83								
*Total	2	8	19	33	51	74	99								
*Static	2	7	16	29	45	64	87								
NC Level	<15	<15	<15	20	29	36	40								
Throw	0.6	1.5	1.8	2.7	2.1	3.7	2.7	4.0	3.0	4.3	3.4	4.9	3.7	5.5	
1200 mm															
Airflow	19	38	57	76	94	113	132								
*Total	2	8	16	29	45	65	87								
*Static	1	5	10	19	29	42	56								
NC Level	<15	<15	<15	17	25	32	38								
Throw	0.6	1.5	1.8	3.7	2.7	4.6	3.0	5.2	3.7	5.5	4.6	6.1	4.9	6.7	
1500 mm															
Airflow	24	47	71	94	118	142	165								
*Total	2	9	20	35	54	78	105								
*Static	1	5	10	19	29	42	56								
NC Level	<15	<15	<15	18	26	33	38								
Throw	0.6	2.1	2.1	4.0	3.0	5.2	4.0	5.8	4.6	6.1	4.9	6.7	5.2	7.3	

25 mm SLOT WIDTH															
Horizontal 1 slot 200 diameter inlet															
600 mm															
Airflow	24	35	47	59	71	83	94								
*Total	7	17	30	47	67	89	117								
*Static	7	16	28	45	64	85	112								
NC Level	<15	<15	20	28	35	41	44								
Throw	1.5	2.7	2.7	3.4	3.0	4.3	3.4	4.6	3.7	5.5	3.7	5.8	4.0	6.1	
1200 mm															
Airflow	33	52	71	90	109	127	146								
*Total	4	10	19	30	44	60	79								
*Static	3	8	16	25	37	51	67								
NC Level	<15	<15	<15	23	30	36	41								
Throw	1.2	3.0	2.4	4.3	3.4	5.2	4.0	5.8	4.6	6.7	4.9	7.3	5.5	7.9	
1500 mm															
Airflow	38	61	85	109	132	156	179								
*Total	2	6	14	23	35	51	70								
*Static	1	5	11	18	27	40	55								
NC Level	<15	<15	<15	23	29	35	40								
Throw	1.5	3.4	2.7	4.6	3.7	5.5	4.3	6.1	4.6	6.7	5.2	7.3	5.5	7.9	

38 mm SLOT WIDTH															
Horizontal 1 slot 150 diameter inlet															
600 mm															
Airflow	14	28	42	57	71	85	99								
*Total	0	9	22	37	61	91	117								
*Static	0	8	19	31	52	78	99								
NC Level	<15	<15	<15	22	31	39	44								
Throw	1.2	2.1	2.1	3.4	2.7	4.0	3.0	4.6	4.0	5.2	4.3	5.8	4.6	6.1	
1200 mm															
Airflow	33	52	71	90	109	127	146								
*Total	5	11	22	37	51	71	93								
*Static	3	6	13	22	30	42	55								
NC Level	<15	<15	<15	20	24	30	36								
Throw	1.5	3.4	2.4	4.6	3.7	5.2	4.0	5.8	4.6	6.1	4.9	6.4	5.2	7.0	
1500 mm															
Airflow	40	64	87	111	134	158	182								
*Total	3	14	25	41	61	85	109								
*Static	0	6	11	19	29	40	50								
NC Level	<15	<15	<15	20	26	31	37								
Throw	1.5	3.4	2.4	4.6	4.0	5.5	4.6	6.4	5.2	7.0	5.5	7.6	6.1	8.2	

38 mm SLOT WIDTH															
Horizontal 1 slot 200 diameter inlet															
600 mm															
Airflow	14	28	42	57	71	85	99								
*Total	0	8	19	32	55	79	106								
*Static	0	7	18	30	52	74	100								
NC Level	<15	<15	<15	23	31	40	44								
Throw	1.2	2.1	2.1	3.4	2.7	4.0	3.7	4.6	4.0	5.2	4.3	5.5	4.6	5.8	
1200 mm															
Airflow	33	57	80	104	127	151	175								
*Total	4	9	19	31	51	67	94								
*Static	3	7	15	25	42	55	77								
NC Level	<15	<15	<15	22	30	36	44								
Throw	1.5	3.4	2.7	4.6	4.0	5.5	4.6	6.4	5.2	7.0	5.8	7.6	6.1	7.9	
1500 mm															
Airflow	40	68	97	125	153	182	210								
*Total	4	10	21	32	51	68	99								
*Static	3	7	15	24	37	50	74								
NC Level	<15	<15	<15	23	30	36	43								
Throw	1.5	3.4	3.0	4.9	4.0	6.1	5.2	7.0	5.8	7.6	6.1	8.2	6.4	8.8	

1. Data is based upon Price TWA engineered plenum (uninsulated) as a complete assembly. Throw values are given at 0.5 and 0.25m/s
2. Terminal velocities under isothermal conditions
3. NC (Noise criteria) values are based on 10dB room absorption re 10⁻¹² W
4. Data derived from tests conducted in accordance with ANSI/ASHRAE Standard 70-1991

KEY INFORMATION

Throw based on diffuser installed in a standard suspended ceiling.

Throw in metres (m)

Pressure in Pascals (Pa)

Airflow in litre per second (l/s)

PHC-H – 1 Slot Horizontal

51 mm SLOT WIDTH														
Horizontal 1 slot 200 diameter inlet														
600 mm														
Airflow	19	38	57	76	94	113	132							
*Total	2	7	16	29	45	64	87							
*Static	1	6	14	25	39	57	77							
NC Level	<15	<15	<15	17	26	31	38							
Throw	0.9	2.4	2.4	4.0	3.0	4.6	4.0	5.2	4.3	5.8	4.6	6.7	4.9	7.0
1200 mm														
Airflow	47	71	94	118	142	165	189							
*Total	4	8	15	23	34	46	60							
*Static	2	5	10	15	22	30	39							
NC Level	<15	<15	<15	15	22	30	37							
Throw	1.2	3.4	2.7	4.3	3.7	5.2	4.0	5.8	4.3	7.0	7.6	8.2	5.2	8.5
1500 mm														
Airflow	59	85	111	137	163	189	215							
*Total	4	9	16	24	34	46	59							
*Static	2	5	9	13	19	25	33							
NC Level	<15	<15	<15	22	29	34	39							
Throw	1.8	3.7	3.7	5.2	4.0	5.8	4.3	7.0	4.9	7.9	5.5	8.5	6.4	9.1

51 mm SLOT WIDTH														
Horizontal 1 slot 300 diameter inlet														
600 mm														
Airflow	24	47	71	94	118	142	165							
*Total	2	7	16	28	44	63	86							
*Static	2	7	15	27	42	60	82							
NC Level	<15	<15	<15	17	24	29	37							
Throw	1.5	3.0	2.4	3.7	3.0	4.3	3.7	5.2	4.0	5.8	4.3	6.7	4.9	7.6
1200 mm														
Airflow	47	80	113	146	179	212	245							
*Total	2	6	11	19	28	42	53							
*Static	2	5	9	16	23	33	44							
NC Level	<15	<15	<15	20	27	33	39							
Throw	1.8	3.7	3.4	4.6	4.0	5.8	4.6	7.0	5.2	8.2	5.8	9.1	6.4	10.4
1500 mm														
Airflow	59	97	134	172	210	248	285							
*Total	2	6	11	18	27	38	50							
*Static	2	4	8	14	21	29	38							
NC Level	<15	<15	<15	23	31	36	41							
Throw	2.1	4.6	3.4	5.8	4.3	7.3	4.9	7.6	5.8	9.1	6.4	9.8	7.6	10.4

63 mm SLOT WIDTH														
Horizontal 1 slot 250 diameter inlet														
600 mm														
Airflow	47	68	90	111	132	153	175							
*Total	5	11	18	28	40	54	70							
*Static	5	10	17	26	37	51	65							
NC Level	<15	<15	<15	20	27	33	38							
Throw	1.8	3.4	2.7	4.0	3.7	5.2	4.3	5.5	4.9	6.7	5.2	7.3	5.5	7.9
1200 mm														
Airflow	66	104	142	179	217	255	293							
*Total	4	9	17	28	40	56	73							
*Static	2	6	12	19	28	38	51							
NC Level	<15	<15	<15	25	33	40	45							
Throw	2.4	5.2	4.3	6.7	4.9	7.6	5.2	8.5	5.8	9.4	6.7	10.1	7.3	10.7
1500 mm														
Airflow	71	113	156	198	241	283	326							
*Total	3	8	16	26	37	52	69							
*Static	0	5	9	15	22	30	40							
NC Level	<15	<15	<15	23	31	38	43							
Throw	2.4	4.9	3.7	6.4	4.6	7.6	5.5	8.8	6.4	9.8	7.0	10.7	8.2	11.6

63 mm SLOT WIDTH														
Horizontal 1 slot 300 diameter inlet														
600 mm														
Airflow	57	71	94	118	142	165	179							
*Total	6	12	21	32	46	62	80							
*Static	5	11	19	29	41	56	72							
NC Level	<15	<15	<15	22	29	35	40							
Throw	2.1	3.7	3.0	4.6	4.0	5.8	4.9	6.1	5.2	7.3	5.8	7.9	6.1	8.5
1200 mm														
Airflow	66	106	146	186	227	267	307							
*Total	3	8	15	24	35	49	65							
*Static	2	6	11	19	28	38	51							
NC Level	<15	<15	<15	23	31	38	43							
Throw	2.4	5.2	4.3	6.7	4.9	7.6	5.2	8.8	6.1	9.8	7.0	10.4	7.9	11.3
1500 mm														
Airflow	71	118	165	212	260	307	354							
*Total	2	7	13	22	33	47	62							
*Static	2	5	9	16	23	32	43							
NC Level	<15	<15	<15	26	34	40	46							
Throw	2.4	4.9	3.7	6.4	4.9	7.9	5.8	9.4	6.7	10.1	7.6	11.3	8.5	11.9

1. Data is based upon Price TWA engineered plenum (uninsulated) as a complete assembly. Throw values are given at 0.5 and 0.25m/s
2. Terminal velocities under isothermal conditions
3. NC (Noise criteria) values are based on 10dB room absorption re 10⁻¹² W
4. Data derived from tests conducted in accordance with ANSI/ASHRAE Standard 70-1991

KEY INFORMATION

Throw based on diffuser installed in a standard suspended ceiling.

Throw in metres (m)

Pressure in Pascals (Pa)

Airflow in litre per second (l/s)

PHC-H – 1 Slot Horizontal

76 mm SLOT WIDTH														
Horizontal 1 slot 250 dia inlet														
600 mm														
Airflow	59		80		101		123		144		165		186	
*Total	7	14	22	32	45	59	75							
*Static	7	12	19	29	39	52	66							
NC Level	<15	<15	<15	24	29	35	40							
Throw	3.4	4.9	4.0	5.8	4.6	6.4	5.2	7.0	5.5	7.6	5.8	8.5	6.1	9.4
1200 mm														
Airflow	94		130		165		201		236		271		307	
*Total	7	12	20	30	41	55	70							
*Static	4	8	13	19	26	35	44							
NC Level	<15	<15	18	22	28	34	40							
Throw	4.0	6.1	4.6	7.3	5.8	8.2	6.4	9.1	7.0	9.8	7.3	10.7	7.9	11.3
1500 mm														
Airflow	104		146		189		231		274		316		359	
*Total	6	10	20	31	43	57	73							
*Static	3	6	11	16	23	30	39							
NC Level	<15	<15	16	24	32	39	45							
Throw	3.7	6.4	5.2	7.6	6.1	8.8	7.0	9.8	7.3	10.7	7.9	11.3	8.5	12.2

76 mm SLOT WIDTH														
Horizontal 1 slot 300 diameter inlet														
600 mm														
Airflow	59		80		101		123		144		165		186	
*Total	7	13	21	31	42	56	71							
*Static	6	12	19	29	39	52	66							
NC Level	<15	<15	<15	18	25	31	36							
Throw	3.4	4.9	4.0	5.8	4.6	6.4	5.2	7.0	5.5	7.6	5.8	8.5	6.1	9.4
1200 mm														
Airflow	94		137		179		222		264		307		349	
*Total	5	12	20	31	43	59	76							
*Static	4	9	15	23	33	44	58							
NC Level	<15	<15	<15	22	29	36	41							
Throw	4.0	6.1	4.9	7.3	6.1	8.5	6.7	9.4	7.3	10.4	7.9	11.3	8.5	12.2
1500 mm														
Airflow	104		156		208		260		311		363		415	
*Total	5	11	20	31	44	60	78							
*Static	3	7	13	20	29	40	52							
NC Level	<15	<15	19	26	32	39	43							
Throw	3.7	6.4	4.3	7.9	4.9	9.1	6.1	10.4	7.6	11.3	8.2	11.9	8.8	12.8

1. Data is based upon Price TWA engineered plenum (uninsulated) as a complete assembly. Throw values are given at 0.5 and 0.25m/s
2. Terminal velocities under isothermal conditions
3. NC (Noise criteria) values are based on 10dB room absorption re 10⁻¹² W
4. Data derived from tests conducted in accordance with ANSI/ASHRAE Standard 70-1991

KEY INFORMATION

Throw based on diffuser installed in a standard suspended ceiling.

Throw in metres (m)

Pressure in Pascals (Pa)

Airflow in litre per second (l/s)

PHC-H – 2 Slot Horizontal

25 mm SLOT WIDTH														
Horizontal 2 slot 200 diameter inlet														
600 mm														
Airflow	38	57	76	94	113	132	151							
*Total	4	9	16	25	36	49	64							
*Static	4	10	13	20	29	39	51							
NC Level	<15	<15	<15	23	29	35	40							
Throw	1.8	3.7	3.0	4.9	4.0	5.5	4.3	6.1	4.9	6.7	5.2	7.0	5.5	7.6
1200 mm														
Airflow	76	109	142	175	208	241	274							
*Total	6	13	23	34	49	65	84							
*Static	3	6	11	17	24	32	42							
NC Level	<15	<15	17	24	31	36	41							
Throw	2.4	5.2	3.7	6.4	4.9	7.3	5.5	7.9	6.1	9.1	6.7	9.8	7.3	10.4
1500 mm														
Airflow	94	132	170	208	245	283	321							
*Total	8	16	27	40	56	74	95							
*Static	3	6	10	15	22	29	37							
NC Level	<15	<15	19	26	32	37	42							
Throw	3.0	6.1	4.3	7.3	5.2	7.9	6.1	9.1	6.7	10.1	7.3	10.7	7.9	11.6

25 mm SLOT WIDTH														
Horizontal 2 slot 250 diameter inlet														
600 mm														
Airflow	38	61	85	109	132	156	179							
*Total	3	9	18	30	44	61	80							
*Static	3	8	16	26	39	54	72							
NC Level	<15	<15	19	28	35	41	47							
Throw	1.8	4.0	3.4	4.9	4.3	5.8	4.6	6.7	5.2	7.3	5.5	7.9	5.8	8.5
1200 mm														
Airflow	76	113	151	189	227	264	302							
*Total	5	11	19	29	42	58	75							
*Static	3	7	13	20	29	39	51							
NC Level	<15	<15	18	26	33	39	44							
Throw	2.7	5.5	4.3	6.7	5.5	7.9	6.1	8.8	6.7	9.8	7.3	10.4	7.6	10.7
1500 mm														
Airflow	94	139	184	229	274	319	363							
*Total	5	12	21	33	47	63	83							
*Static	3	7	12	19	27	36	47							
NC Level	<15	<15	20	28	34	40	45							
Throw	2.7	5.8	4.3	7.3	5.8	8.2	6.7	9.8	7.3	10.7	7.6	11.6	8.2	11.9

38 mm SLOT WIDTH														
Horizontal 2 slot 200 diameter inlet														
600 mm														
Airflow	57	76	94	113	132	151	170							
*Total	9	16	25	36	49	64	81							
*Static	7	13	20	29	39	51	64							
NC Level	<15	<15	19	26	32	37	41							
Throw	2.7	4.0	3.7	4.9	4.0	5.5	4.9	6.4	5.2	7.3	5.5	7.9	5.8	8.2
1200 mm														
Airflow	113	146	179	212	245	278	311							
*Total	14	24	36	51	68	87	109							
*Static	7	12	18	25	33	43	54							
NC Level	<15	<15	21	27	33	37	42							
Throw	4.3	6.7	5.2	7.6	6.1	8.5	6.7	9.4	7.0	10.1	7.6	10.7	7.9	11.3
1500 mm														
Airflow	142	175	208	241	274	307	340							
*Total	19	28	40	54	70	87	107							
*Static	7	11	15	21	27	33	41							
NC Level	<15	<15	22	27	32	36	40							
Throw	4.6	7.6	5.8	8.5	6.4	9.1	6.7	9.8	7.0	10.1	7.3	10.4	8.2	11.6

38 mm SLOT WIDTH														
Horizontal 2 slot 300 diameter inlet														
600 mm														
Airflow	57	80	104	127	151	175	198							
*Total	8	15	26	39	54	73	93							
*Static	7	14	24	36	51	68	88							
NC Level	<15	<15	21	29	35	40	45							
Throw	2.7	4.9	4.0	5.8	4.3	6.4	4.9	7.3	5.5	7.9	5.8	8.5	6.4	8.8
1200 mm														
Airflow	113	151	189	227	264	302	340							
*Total	9	16	25	36	49	64	82							
*Static	7	13	20	29	39	51	64							
NC Level	<15	<15	22	26	32	37	41							
Throw	4.3	6.7	5.5	7.9	6.1	8.8	6.7	9.8	7.3	10.1	7.9	11.0	8.2	11.9
1500 mm														
Airflow	142	189	236	283	330	378	425							
*Total	10	18	28	40	55	72	91							
*Static	7	13	20	29	39	51	64							
NC Level	<15	<15	23	30	35	40	45							
Throw	4.6	7.6	6.1	8.8	6.7	9.8	7.3	10.7	8.2	11.6	8.5	12.5	9.1	13.1

1. Data is based upon Price TWA engineered plenum (uninsulated) as a complete assembly. Throw values are given at 0.5 and 0.25m/s
2. Terminal velocities under isothermal conditions
3. NC (Noise criteria) values are based on 10dB room absorption re 10⁻¹² W
4. Data derived from tests conducted in accordance with ANSI/ASHRAE Standard 70-1991

KEY INFORMATION

Throw based on diffuser installed in a standard suspended ceiling.

Throw in metres (m)

Pressure in Pascals (Pa)

Airflow in litre per second (l/s)

PHC-H – 2 Slot Horizontal

51 mm SLOT WIDTH														
Horizontal 2 slot 200 diameter inlet														
600 mm														
Airflow	57	78	99	120	142	163	184							
*Total	6	11	17	25	35	46	59							
*Static	4	7	12	17	24	31	40							
NC Level	<15	<15	16	24	29	34	38							
Throw	2.4	4.3	3.4	4.9	3.7	5.8	4.3	6.4	4.9	7.0	5.2	7.3	5.5	7.6
1200 mm														
Airflow	113	142	170	198	227	255	283							
*Total	13	20	28	39	51	64	79							
*Static	5	8	12	16	21	27	33							
NC Level	<15	17	23	29	34	39	43							
Throw	3.4	6.1	4.3	7.0	4.9	7.3	5.8	7.9	6.1	8.8	6.7	9.1	7.0	9.8
1500 mm														
Airflow	123	153	184	215	245	276	307							
*Total	13	20	29	40	52	66	82							
*Static	4	7	10	14	18	23	28							
NC Level	<15	16	22	29	34	38	42							
Throw	3.4	6.4	4.3	7.0	4.9	7.6	5.5	8.5	6.4	9.1	6.7	9.8	7.0	10.1

51 mm SLOT WIDTH														
Horizontal 2 slot 300 diameter inlet														
600 mm														
Airflow	57	92	127	163	198	234	269							
*Total	2	6	11	19	28	38	51							
*Static	2	5	10	16	23	32	43							
NC Level	<15	<15	<15	22	28	35	41							
Throw	2.4	4.3	4.0	5.5	4.6	6.7	5.2	7.3	5.8	7.9	6.1	8.8	6.4	9.4
1200 mm														
Airflow	113	156	198	241	283	326	368							
*Total	5	9	15	22	30	40	51							
*Static	3	6	10	15	21	28	36							
NC Level	<15	<15	17	24	30	35	41							
Throw	3.4	6.1	4.6	7.0	5.8	7.9	6.4	8.8	7.0	9.8	7.3	10.4	7.6	11.0
1500 mm														
Airflow	132	179	227	274	321	368	415							
*Total	5	10	16	23	32	43	54							
*Static	3	6	10	15	21	27	35							
NC Level	<15	<15	18	25	31	36	41							
Throw	3.7	6.7	4.6	7.6	6.1	8.8	6.7	9.8	7.3	10.4	7.6	11.0	8.2	11.9

63 mm SLOT WIDTH														
Horizontal 2 slot 250 diameter inlet														
600 mm														
Airflow	38	76	113	151	189	227	264							
*Total	1	5	11	19	30	43	59							
*Static	1	3	8	14	22	31	43							
NC Level	<15	<15	<15	18	27	35	41							
Throw	1.2	3.0	3.0	4.9	4.3	6.1	4.9	7.0	5.5	7.9	6.1	8.8	6.7	9.4
1200 mm														
Airflow	76	132	189	245	302	359	415							
*Total	3	8	17	29	44	62	83							
*Static	1	4	9	15	23	32	43							
NC Level	<15	<15	<15	22	31	38	44							
Throw	1.5	4.3	3.7	6.7	5.2	7.9	6.4	9.1	7.0	9.8	7.6	11.0	8.2	11.9
1500 mm														
Airflow	94	158	222	285	349	413	477							
*Total	3	10	20	32	48	67	90							
*Static	1	4	8	13	20	27	36							
NC Level	<15	<15	<15	23	31	38	44							
Throw	1.5	4.6	4.0	7.0	5.5	8.5	7.0	9.8	7.6	10.7	8.2	11.6	8.8	12.5

63 mm SLOT WIDTH														
Horizontal 2 slot 300 diameter inlet														
600 mm														
Airflow	38	80	123	165	208	250	293							
*Total	1	4	8	15	24	35	48							
*Static	0	3	7	12	19	28	38							
NC Level	<15	<15	<15	17	27	34	41							
Throw	1.2	3.0	3.0	5.2	4.3	6.4	5.2	7.3	5.8	8.2	6.4	9.4	7.0	9.8
1200 mm														
Airflow	76	139	203	281	330	394	458							
*Total	2	6	13	22	34	48	64							
*Static	1	4	8	14	21	30	41							
NC Level	<15	<15	<15	21	29	37	43							
Throw	1.5	4.3	4.0	7.0	5.8	8.2	6.7	9.4	7.3	10.4	7.9	11.6	8.8	12.5
1500 mm														
Airflow	94	165	236	307	378	448	519							
*Total	2	7	15	25	37	53	70							
*Static	1	4	8	14	21	30	40							
NC Level	<15	<15	<15	21	29	37	43							
Throw	1.5	4.6	4.3	7.3	5.8	8.8	7.0	10.1	7.9	11.3	8.5	12.2	9.4	13.1

1. Data is based upon Price TWA engineered plenum (uninsulated) as a complete assembly. Throw values are given at 0.5 and 0.25m/s
2. Terminal velocities under isothermal conditions
3. NC (Noise criteria) values are based on 10dB room absorption re 10⁻¹² W
4. Data derived from tests conducted in accordance with ANSI/ASHRAE Standard 70-1991

KEY INFORMATION

Throw based on diffuser installed in a standard suspended ceiling.

Throw in metres (m)

Pressure in Pascals (Pa)

Airflow in litre per second (l/s)

PHC-H – 2 Slot Horizontal

76 mm SLOT WIDTH														
Horizontal 2 slot 250 diameter inlet														
600 mm														
Airflow	38		85		132		179		227		274		321	
*Total	1	5	13	24	38	56	77							
*Static	1	4	9	17	26	39	53							
NC Level	<15	<15	<15	17	28	36	43							
Throw	0.9	2.7	3.0	5.2	4.6	6.7	5.5	7.6	6.1	8.8	6.7	9.8	7.3	10.4
1200 mm														
Airflow	71		142		212		283		354		425		495	
*Total	2	9	20	35	55	80	108							
*Static	1	4	9	17	26	37	51							
NC Level	<15	<15	<15	19	29	38	45							
Throw	1.2	3.7	3.7	7.0	5.5	8.5	7.0	9.8	7.6	10.7	8.5	11.9	9.1	12.8
1500 mm														
Airflow	85		165		245		326		406		486		566	
*Total	3	10	23	40	62	89	121							
*Static	1	4	9	15	24	34	46							
NC Level	<15	<15	16	19	29	38	45							
Throw	1.2	4.0	4.0	7.3	5.8	9.1	7.3	10.4	8.2	11.6	9.1	12.5	9.8	13.7

76 mm SLOT WIDTH														
Horizontal 2 slot 300 diameter inlet														
600 mm														
Airflow	38		85		132		179		227		274		321	
*Total	1	4	10	19	31	45	62							
*Static	1	3	8	16	25	36	50							
NC Level	<15	<15	<15	15	23	32	39							
Throw	0.9	2.7	3.0	5.2	4.6	6.7	5.5	7.6	6.1	8.8	6.7	9.8	7.3	10.4
1200 mm														
Airflow	71		146		222		297		373		448		524	
*Total	1	6	14	25	39	56	77							
*Static	1	3	8	15	23	33	46							
NC Level	<15	<15	<15	23	29	35	42							
Throw	1.2	3.7	4.0	7.0	5.8	8.5	7.0	9.8	7.9	11.0	8.5	12.2	9.4	13.1
1500 mm														
Airflow	85		170		255		340		425		510		595	
*Total	2	7	15	27	42	61	82							
*Static	1	3	8	14	22	31	42							
NC Level	<15	<15	16	24	30	35	42							
Throw	1.2	4.0	4.0	7.3	5.8	9.1	7.3	10.7	8.5	11.9	9.1	12.8	9.8	14.0

1. Data is based upon Price TWA engineered plenum (uninsulated) as a complete assembly. Throw values are given at 0.5 and 0.25m/s
2. Terminal velocities under isothermal conditions
3. NC (Noise criteria) values are based on 10dB room absorption re 10⁻¹² W
4. Data derived from tests conducted in accordance with ANSI/ASHRAE Standard 70-1991

KEY INFORMATION

Throw based on diffuser installed in a standard suspended ceiling.

Throw in metres (m)

Pressure in Pascals (Pa)

Airflow in litre per second (l/s)

PHC-V – 1 Slot Vertical

25 mm SLOT WIDTH														
Vertical 1 slot 200 diameter inlet														
600 mm														
Airflow	24		45		66		87		109		130		151	
*Total	2	8	18	31	49	70	94							
*Static	2	7	15	27	42	60	81							
NC Level	<15	<15	<15	26	33	39	44							
Throw	0.9	3.0	2.7	5.8	4.3	7.3	5.8	8.5	6.7	9.4	7.3	10.4	7.9	11.0
1200 mm														
Airflow	47		83		118		153		189		224		260	
*Total	4	14	28	47	72	101	136							
*Static	3	10	20	33	50	71	94							
NC Level	<15	<15	<15	29	35	41	46							
Throw	1.2	4.0	3.4	7.0	5.2	9.1	6.4	10.4	7.9	11.3	8.8	12.5	9.4	13.4
1500 mm														
Airflow	52		92		132		172		212		252		293	
*Total	5	15	31	53	80	113	152							
*Static	3	10	20	34	52	74	99							
NC Level	<15	<15	<15	30	36	42	47							
Throw	0.9	3.7	3.4	6.7	5.2	9.8	6.4	10.7	7.6	11.9	9.1	12.8	9.8	13.7

25 mm SLOT WIDTH														
Vertical 1 slot 250 diameter inlet														
600 mm														
Airflow	24		45		66		87		109		130		151	
*Total	1	5	12	22	33	48	64							
*Static	1	5	11	20	30	43	59							
NC Level	<15	<15	<15	23	30	35	40							
Throw	0.9	3.0	2.7	5.8	4.3	7.3	5.8	8.5	6.7	9.4	7.3	10.4	7.9	11.0
1200 mm														
Airflow	47		85		123		160		198		236		274	
*Total	3	9	19	32	49	69	93							
*Static	2	7	15	26	39	52	74							
NC Level	<15	<15	<15	24	31	37	42							
Throw	1.2	4.0	3.7	7.0	5.2	9.1	6.7	10.4	8.5	11.9	9.1	12.8	9.8	13.7
1500 mm														
Airflow	52		99		146		193		241		288		335	
*Total	3	10	22	38	58	84	113							
*Static	2	7	16	28	44	63	85							
NC Level	<15	<15	<15	26	33	39	44							
Throw	0.9	3.7	3.7	7.3	5.5	9.8	7.0	11.3	8.8	12.5	9.8	13.7	10.4	14.6

25 mm SLOT WIDTH														
Vertical 1 slot 300 diameter inlet														
600 mm														
Airflow	24		45		66		87		109		130		151	
*Total	1	4	9	16	25	35	48							
*Static	1	4	9	15	23	33	45							
NC Level	<15	<15	<15	20	27	32	37							
Throw	0.9	3.0	2.7	5.8	4.3	7.3	5.8	8.5	6.7	9.4	7.3	10.4	7.9	11.0
1200 mm														
Airflow	47		90		132		175		217		260		302	
*Total	2	8	17	30	46	65	89							
*Static	2	7	15	26	40	58	78							
NC Level	<15	<15	<15	26	33	38	43							
Throw	1.2	4.0	3.7	7.3	5.5	9.4	7.3	11.0	8.8	12.5	9.4	13.4	10.1	14.3
1500 mm														
Airflow	52		104		156		208		260		311		363	
*Total	2	4	9	15	23	33	45							
*Static	1	6	14	25	39	56	76							
NC Level	<15	<15	<15	24	31	37	42							
Throw	0.9	3.7	3.7	7.6	5.8	10.1	7.6	11.9	9.4	13.1	10.1	14.3	11.0	15.5

38 mm SLOT WIDTH														
Vertical 1 slot 200 diameter inlet														
600 mm														
Airflow	28		52		76		99		123		146		170	
*Total	2	7	15	26	39	56	76							
*Static	1	5	11	20	30	43	58							
NC Level	<15	<15	<15	20	27	33	38							
Throw	0.6	2.7	2.7	5.5	3.7	7.3	5.2	8.8	6.1	9.8	7.3	10.4	7.9	11.3
1200 mm														
Airflow	57		94		132		170		208		245		283	
*Total	5	14	28	46	68	95	127							
*Static	3	9	17	28	42	59	78							
NC Level	<15	<15	<15	27	33	39	43							
Throw	0.9	3.7	2.7	6.4	4.3	8.8	5.8	10.4	7.0	11.3	7.9	12.5	9.4	13.4
1500 mm														
Airflow	66		104		142		179		217		255		293	
*Total	6	15	29	46	67	93	123							
*Static	4	9	16	27	39	53	71							
NC Level	<15	<15	<15	26	32	38	42							
Throw	0.9	3.7	2.4	6.1	4.0	8.5	5.5	10.4	6.4	11.3	7.3	12.5	8.8	13.1

1. Data is based upon Price TWA engineered plenum (uninsulated) as a complete assembly. Throw values are given at 0.5 and 0.25m/s
2. Terminal velocities under isothermal conditions
3. NC (Noise criteria) values are based on 10dB room absorption re 10⁻¹² W
4. Data derived from tests conducted in accordance with ANSI/ASHRAE Standard 70-1991

KEY INFORMATION

Throw based on diffuser installed in a standard suspended ceiling.

Throw in metres (m)

Pressure in Pascals (Pa)

Airflow in litre per second (l/s)

PHC-V – 1 Slot Vertical

38 mm SLOT WIDTH														
Vertical 1 slot 250 diameter inlet														
600 mm														
Airflow	28		59		90		120		151		182		212	
*Total	1	6	14	26	40	6	80							
*Static	1	5	12	22	34	50	68							
NC Level	<15	<15	<15	23	30	36	41							
Throw	0.6	2.7	3.0	6.1	4.3	7.9	6.1	9.4	7.3	10.7	8.5	11.9	9.1	11.9
1200 mm														
Airflow	57		113		170		227		283		340		396	
*Total	3	11	25	45	70	101	129							
*Static	2	8	18	32	50	72	98							
NC Level	<15	<15	<15	28	35	41	46							
Throw	0.9	3.7	3.7	7.3	5.8	10.4	7.3	12.2	9.4	13.4	10.4	14.6	11.0	15.8
1500 mm														
Airflow	66		132		198		264		330		396		462	
*Total	3	13	30	53	83	120	163							
*Static	2	9	20	36	56	81	110							
NC Level	<15	<15	<15	30	37	43	48							
Throw	0.9	3.7	3.7	7.6	5.8	10.7	7.6	12.5	9.8	14.0	10.7	15.5	11.9	16.5

38 mm SLOT WIDTH														
Vertical 1 slot 300 diameter inlet														
600 mm														
Airflow	28		59		90		120		151		182		212	
*Total	1	5	11	19	31	44	61							
*Static	1	4	10	18	28	40	55							
NC Level	<15	<15	<15	20	28	34	39							
Throw	0.6	2.7	3.0	6.1	4.3	7.9	6.1	9.4	7.3	10.7	8.5	11.9	9.1	12.8
1200 mm														
Airflow	57		113		170		227		283		340		396	
*Total	2	8	17	31	48	68	93							
*Static	1	6	14	24	38	55	74							
NC Level	<15	<15	<15	24	31	37	42							
Throw	0.9	3.7	3.7	7.3	5.8	10.4	7.3	12.2	9.4	13.4	10.4	14.6	11.0	15.8
1500 mm														
Airflow	66		132		198		264		330		396		462	
*Total	2	9	20	35	55	79	107							
*Static	1	7	15	27	42	60	81							
NC Level	<15	<15	<15	25	32	38	43							
Throw	0.9	3.7	3.7	4.6	5.8	10.7	7.6	12.5	9.8	14.0	10.7	15.5	11.9	16.5

51 mm SLOT WIDTH														
Vertical 1 slot 200 diameter inlet														
600 mm														
Airflow	33		66		99		132		165		198		231	
*Total	2	9	20	36	57	81	111							
*Static	1	6	14	26	40	58	78							
NC Level	<15	<15	<15	24	32	38	42							
Throw	0.6	2.1	2.1	4.3	3.4	6.4	4.3	7.6	5.5	8.2	6.4	9.1	7.0	9.8
1200 mm														
Airflow	66		104		142		179		217		255		293	
*Total	6	15	28	44	65	89	118							
*Static	3	8	15	24	36	50	65							
NC Level	<15	<15	<15	25	31	37	41							
Throw	0.6	2.4	1.5	4.3	2.7	6.1	4.0	7.9	4.6	8.8	5.5	9.4	6.4	10.1
1500 mm														
Airflow	71		118		165		212		260		307		354	
*Total	6	18	34	56	84	118	156							
*Static	3	9	18	29	43	60	80							
NC Level	<15	<15	<15	29	35	41	45							
Throw	0.6	1.8	1.2	4.3	2.7	6.1	4.3	7.9	4.9	9.4	6.1	10.1	6.7	11.0

51 mm SLOT WIDTH														
Vertical 1 slot 250 diameter inlet														
600 mm														
Airflow	33		71		109		146		184		222		260	
*Total	1	7	15	28	44	64	88							
*Static	1	5	12	23	36	52	71							
NC Level	<15	<15	<15	23	30	36	41							
Throw	0.6	2.1	2.4	4.6	3.7	6.7	4.9	7.9	6.1	8.8	6.7	9.4	7.3	10.4
1200 mm														
Airflow	66		125		184		243		302		361		420	
*Total	3	12	26	44	68	98	132							
*Static	2	8	17	30	46	65	88							
NC Level	<15	<15	<15	27	34	40	45							
Throw	0.6	2.4	2.1	5.5	4.0	7.9	5.2	9.4	6.4	10.4	7.9	11.3	8.5	12.2
1500 mm														
Airflow	71		142		212		283		354		425		495	
*Total	3	13	30	53	82	118	161							
*Static	2	8	18	33	51	73	99							
NC Level	<15	<15	<15	29	36	42	47							
Throw	0.6	1.8	1.8	5.5	4.3	7.9	5.5	9.4	6.7	11.0	7.9	11.9	9.1	12.8

1. Data is based upon Price TWA engineered plenum (uninsulated) as a complete assembly. Throw values are given at 0.5 and 0.25m/s
2. Terminal velocities under isothermal conditions
3. NC (Noise criteria) values are based on 10dB room absorption re 10⁻¹² W
4. Data derived from tests conducted in accordance with ANSI/ASHRAE Standard 70-1991

KEY INFORMATION

Throw based on diffuser installed in a standard suspended ceiling.

Throw in metres (m)

Pressure in Pascals (Pa)

Airflow in litre per second (l/s)

PHC-V – 1 Slot Vertical

51 mm SLOT WIDTH														
Vertical 1 slot 300 diameter inlet														
600 mm														
Airflow	33		76		118		160		203		245		288	
*Total	1	5	14	25	40	59	81							
*Static	1	5	12	22	35	52	71							
NC Level	<15	<15	<15	23	30	37	42							
Throw	0.6	2.1	2.7	4.9	4.0	7.0	5.2	8.2	6.4	9.1	7.3	10.1	7.9	11.0
1200 mm														
Airflow	66		137		208		278		349		420		491	
*Total	2	9	20	37	58	83	114							
*Static	1	7	15	27	43	62	84							
NC Level	<15	<15	<15	26	33	39	44							
Throw	0.6	2.4	2.7	6.1	4.3	8.5	6.1	9.8	7.6	11.3	8.5	12.2	9.4	13.1
1500 mm														
Airflow	71		156		241		326		411		495		580	
*Total	2	10	24	43	69	101	138							
*Static	1	7	17	31	49	72	98							
NC Level	<15	<15	<15	28	35	41	46							
Throw	0.6	1.8	2.4	6.1	4.6	8.8	6.1	10.4	7.9	11.6	9.1	12.8	9.8	14.0

64 mm SLOT WIDTH														
Vertical 1 slot 300 diameter inlet														
600 mm														
Airflow	38		90		142		193		245		297		349	
*Total	1	6	15	28	46	67	93							
*Static	1	5	13	24	38	57	78							
NC Level	<15	<15	<15	24	31	38	43							
Throw	0.6	1.8	2.7	5.2	4.3	7.6	5.8	8.8	7.0	9.8	7.9	11.0	8.2	11.6
1200 mm														
Airflow	71		158		245		333		420		507		595	
*Total	2	10	25	45	72	106	145							
*Static	1	7	18	32	51	75	102							
NC Level	<15	<15	<15	28	36	42	47							
Throw	0.6	1.8	2.4	6.1	4.6	9.1	6.4	10.7	7.9	11.9	9.1	13.1	9.8	14.0
1500 mm														
Airflow	76		175		274		373		472		571		670	
*Total	2	11	27	50	79	116	160							
*Static	1	7	18	33	53	77	106							
NC Level	<15	<15	<15	29	37	43	48							
Throw	0.3	1.5	2.1	6.1	4.6	9.4	6.1	11.0	7.9	12.2	9.4	13.4	10.4	14.6

76 mm SLOT WIDTH														
Vertical 1 slot 350 diameter inlet														
600 mm														
Airflow	47		106		165		224		283		342		401	
*Total	1	5	14	25	40	59	81							
*Static	1	5	12	22	35	51	70							
NC Level	<15	<15	<15	22	30	36	41							
Throw	0.6	2.1	2.7	5.5	4.3	7.9	6.1	9.4	7.3	10.4	7.9	11.3	8.8	12.2
1200 mm														
Airflow	94		189		283		378		472		566		661	
*Total	2	9	20	36	57	81	111							
*Static	1	7	15	27	42	61	83							
NC Level	<15	<15	<15	26	33	39	44							
Throw	0.6	2.4	2.4	6.4	4.9	9.4	6.4	11.0	7.9	12.2	9.4	13.4	10.1	14.6
1500 mm														
Airflow	113		217		321		425		529		632		736	
*Total	3	10	23	39	61	88	119							
*Static	2	7	16	28	43	62	84							
NC Level	<15	<15	<15	27	34	49	44							
Throw	0.6	2.4	2.4	6.4	4.9	9.8	6.4	11.3	7.9	12.8	9.4	13.7	10.7	14.6

KEY INFORMATION

Throw based on diffuser installed in a standard suspended ceiling.

Throw in metres (m)

Pressure in Pascals (Pa)

Airflow in litre per second (l/s)

1. Data is based upon Price TWA engineered plenum (uninsulated) as a complete assembly. Throw values are given at 0.5 and 0.25m/s
2. Terminal velocities under isothermal conditions
3. NC (Noise criteria) values are based on 10dB room absorption re 10⁻¹² W
4. Data derived from tests conducted in accordance with ANSI/ASHRAE Standard 70-1991

PHC-V – 2 Slot Vertical

25 mm SLOT WIDTH														
Vertical 2 slot 200 diameter inlet														
600 mm														
Airflow	38	73	109	144	179	215	250							
*Total	3	11	24	43	67	95	130							
*Static	2	8	17	30	47	67	92							
NC Level	<15	<15	<15	27	34	40	45							
Throw	1.2	4.0	3.7	7.0	5.8	8.8	7.0	10.1	7.9	11.0	8.8	12.2	9.4	13.1
1200 mm														
Airflow	76	123	170	217	264	311	359							
*Total	8	21	39	65	96	133	177							
*Static	4	11	22	36	53	74	98							
NC Level	<15	<15	<15	31	38	43	48							
Throw	1.2	5.2	3.7	8.5	5.8	10.1	7.3	11.3	8.8	12.5	9.4	13.4	10.4	14.3
1500 mm														
Airflow	94	142	189	236	283	330	378							
*Total	11	25	45	69	100	136	178							
*Static	5	13	23	35	51	70	91							
NC Level	<15	<15	<15	32	38	43	47							
Throw	1.2	3.0	3.4	5.8	5.8	10.4	7.0	11.3	8.8	12.5	9.8	13.4	10.4	14.3

25 mm SLOT WIDTH														
Vertical 2 slot 250 diameter inlet														
600 mm														
Airflow	38	78	118	158	198	238	278							
*Total	1	7	17	30	47	68	93							
*Static	1	6	13	24	37	54	74							
NC Level	<15	<15	<15	23	31	37	42							
Throw	1.2	4.0	4.0	7.3	6.1	9.1	7.3	10.4	8.5	11.9	9.1	12.8	9.8	14.0
1200 mm														
Airflow	76	142	208	274	340	406	472							
*Total	4	14	30	53	81	115	156							
*Static	3	9	19	34	52	74	100							
NC Level	<15	<15	<15	29	36	42	47							
Throw	1.2	5.2	4.6	9.1	7.0	11.0	9.1	12.8	10.1	14.0	10.7	15.5	11.9	16.8
1500 mm														
Airflow	94	165	236	307	378	448	519							
*Total	5	17	35	59	89	125	168							
*Static	3	10	21	35	53	75	101							
NC Level	<15	<15	<15	31	37	43	47							
Throw	1.2	5.8	4.3	9.8	7.0	11.3	9.4	13.1	10.1	14.3	11.0	15.8	12.2	17.1

25 mm SLOT WIDTH														
Vertical 2 slot 300 diameter inlet														
600 mm														
Airflow	38	80	123	165	208	250	293							
*Total	1	5	12	22	35	51	70							
*Static	1	4	11	19	30	44	60							
NC Level	<15	<15	<15	21	28	34	39							
Throw	1.2	4.0	4.0	7.3	6.4	9.4	7.6	10.7	8.5	12.2	9.4	13.1	10.1	14.3
1200 mm														
Airflow	76	151	227	302	378	453	529							
*Total	2	9	20	36	57	82	111							
*Static	1	6	14	25	39	57	77							
NC Level	<15	<15	<15	24	32	37	42							
Throw	1.2	5.2	5.2	9.4	7.6	11.3	9.4	13.4	10.4	14.6	11.3	16.5	12.5	17.4
1500 mm														
Airflow	94	177	260	342	425	507	590							
*Total	3	11	24	41	63	90	122							
*Static	2	7	15	27	41	59	80							
NC Level	<15	<15	<15	26	33	38	43							
Throw	1.2	5.8	5.2	10.1	7.6	12.2	9.8	13.7	10.7	15.5	11.9	16.8	12.8	18.0

38 mm SLOT WIDTH														
Vertical 2 slot 250 diameter inlet														
600 mm														
Airflow	57	99	142	184	227	269	311							
*Total	3	8	17	29	43	62	83							
*Static	2	6	12	20	31	43	58							
NC Level	<15	<15	<15	21	27	30	38							
Throw	1.2	4.6	4.0	7.9	5.8	9.4	7.6	10.7	8.5	12.2	9.4	13.1	10.1	14.0
1200 mm														
Airflow	113	160	208	255	302	349	396							
*Total	7	15	24	37	51	68	88							
*Static	4	8	14	20	28	38	49							
NC Level	<15	<15	<15	22	28	32	37							
Throw	1.8	6.1	3.0	8.8	5.2	10.4	7.0	11.9	7.9	12.8	9.4	13.7	10.4	14.3
1500 mm														
Airflow	123	172	222	271	321	370	420							
*Total	8	15	25	38	53	70	91							
*Static	4	8	13	19	27	36	46							
NC Level	<15	<15	<15	22	28	32	36							
Throw	1.2	5.2	2.4	8.5	4.0	10.7	6.1	11.9	7.6	12.8	9.1	13.7	10.1	14.3

1. Data is based upon Price TWA engineered plenum (uninsulated) as a complete assembly. Throw values are given at 0.5 and 0.25m/s
2. Terminal velocities under isothermal conditions
3. NC (Noise criteria) values are based on 10dB room absorption re 10⁻¹² W
4. Data derived from tests conducted in accordance with ANSI/ASHRAE Standard 70-1991

KEY INFORMATION

Throw based on diffuser installed in a standard suspended ceiling.

Throw in metres (m)

Pressure in Pascals (Pa)

Airflow in litre per second (l/s)

PHC-V – 2 Slot Vertical

38 mm SLOT WIDTH													
Vertical 2 slot 300 diagram inlet													
600 mm													
Airflow	57	109	160	212	264	316	368						
*Total	1	6	13	23	36	52	70						
*Static	1	5	10	18	28	40	54						
NC Level	<15	<15	<15	19	26	32	36						
Throw	1.2 4.6	4.3 8.5	6.7 10.1	7.9 11.9	9.1 13.1	10.1 14.0	10.7 15.2						
1200 mm													
Airflow	113	184	255	326	396	467	538						
*Total	4	11	20	33	49	68	91						
*Static	2	7	12	20	30	42	56						
NC Level	<15	<15	<15	22	28	33	38						
Throw	1.8 6.1	4.0 9.8	7.6 11.3	9.4 13.4	10.4 14.6	11.3 16.5	12.5 17.4						
1500 mm													
Airflow	123	201	278	356	434	512	590						
*Total	4	11	22	36	53	74	98						
*Static	2	7	13	21	31	43	57						
NC Level	<15	<15	<15	22	29	34	39						
Throw	1.2 5.2	3.4 9.8	6.4 11.9	8.8 13.4	10.4 14.6	11.3 16.2	12.2 17.1						

38 mm SLOT WIDTH													
Vertical 2 slot 350 diagram inlet													
600 mm													
Airflow	57	113	170	227	283	340	396						
*Total	1	4	10	18	29	41	56						
*Static	1	4	8	15	23	34	46						
NC Level	<15	<15	<15	15	23	29	34						
Throw	1.2 4.6	4.6 8.5	7.0 10.4	8.5 12.2	9.4 13.4	10.4 14.6	11.0 15.8						
1200 mm													
Airflow	113	196	278	361	444	526	609						
*Total	2	7	15	25	38	53	71						
*Static	1	5	10	16	25	35	47						
NC Level	<15	<15	<15	18	24	30	35						
Throw	1.8 6.1	4.6 10.1	7.6 12.2	9.8 13.7	10.7 15.5	11.9 16.8	12.8 17.7						
1500 mm													
Airflow	123	208	293	378	462	547	632						
*Total	3	8	16	26	39	55	73						
*Static	2	5	10	17	25	35	47						
NC Level	<15	<15	<15	18	25	30	35						
Throw	1.2 5.2	3.7 10.1	7.0 12.2	9.1 13.7	10.7 15.5	11.9 16.8	12.8 17.7						

51 mm SLOT WIDTH													
Vertical 2 slot 250 diagram inlet													
600 mm													
Airflow	33	66	99	132	165	198	231						
*Total	1	3	7	12	19	28	38						
*Static	2	2	4	8	13	18	25						
NC Level	<15	<15	<15	15	17	19	24						
Throw	0.3 0.9	0.9 3.4	1.8 5.5	3.4 6.7	4.3 7.6	5.5 8.2	6.1 9.1						
1200 mm													
Airflow	118	168	217	267	316	366	415						
*Total	7	14	24	35	50	67	86						
*Static	3	7	12	18	25	33	43						
NC Level	<15	<15	<15	21	27	31	35						
Throw	0.9 3.0	1.5 6.1	2.7 7.9	4.0 8.8	5.8 9.4	6.4 10.4	7.6 11.3						
1500 mm													
Airflow	132	184	236	288	340	392	444						
*Total	8	15	25	37	52	69	89						
*Static	3	7	11	17	23	32	39						
NC Level	<15	<15	<15	21	27	31	35						
Throw	0.9 2.7	1.2 5.2	2.1 7.6	3.0 9.1	4.3 9.8	6.1 10.4	7.0 11.3						

51 mm SLOT WIDTH													
Vertical 2 slot 300 diagram inlet													
600 mm													
Airflow	66	130	193	257	321	385	448						
*Total	2	7	15	27	42	61	82						
*Static	1	5	11	19	30	43	58						
NC Level	<15	<15	<15	20	27	33	38						
Throw	0.9 3.4	3.4 6.7	5.2 8.2	6.7 9.4	7.6 10.7	7.9 11.0	8.2 11.6						
1200 mm													
Airflow	118	201	283	366	448	531	613						
*Total	4	11	22	36	54	76	102						
*Static	2	6	12	20	30	42	57						
NC Level	<15	<15	<15	22	29	34	39						
Throw	0.9 3.0	2.4 7.3	4.3 9.1	6.4 10.4	7.9 11.3	8.8 12.5	9.4 13.4						
1500 mm													
Airflow	132	217	302	387	472	557	642						
*Total	4	12	23	37	55	77	102						
*Static	2	6	12	19	28	39	52						
NC Level	<15	<15	<15	22	29	34	39						
Throw	0.9 2.7	1.8 6.7	3.7 9.4	5.8 10.4	7.6 11.3	8.8 12.5	9.4 13.4						

1. Data is based upon Price TWA engineered plenum (uninsulated) as a complete assembly. Throw values are given at 0.5 and 0.25m/s
2. Terminal velocities under isothermal conditions
3. NC (Noise criteria) values are based on 10dB room absorption re 10⁻¹² W
4. Data derived from tests conducted in accordance with ANSI/ASHRAE Standard 70-1991

KEY INFORMATION

Throw based on diffuser installed in a standard suspended ceiling.

Throw in metres (m)

Pressure in Pascals (Pa)

Airflow in litre per second (l/s)

PHC-V – 2 Slot Vertical

51 mm SLOT WIDTH														
Vertical 2 slot 350 diagram inlet														
600 mm														
Airflow	66	132	198	264	330	396	462							
*Total	1	4	10	18	28	41	56							
*Static	1	3	8	14	21	31	42							
NC Level	<15	<15	<15	15	21	27	32							
Throw	0.9	3.4	3.4	6.7	5.5	8.2	6.7	9.4	7.6	11.0	8.2	11.9	9.1	12.8
1200 mm														
Airflow	118	212	307	401	495	590	684							
*Total	2	7	15	26	40	57	76							
*Static	1	4	9	16	24	34	46							
NC Level	<15	<15	<15	18	24	30	35							
Throw	0.9	3.0	2.7	7.6	5.2	9.4	7.3	11.0	8.5	12.2	9.4	13.1	10.1	14.3
1500 mm														
Airflow	132	227	321	415	510	604	698							
*Total	3	7	15	25	38	53	71							
*Static	1	4	8	14	21	30	39							
NC Level	<15	<15	<15	16	23	28	33							
Throw	0.9	3.0	2.4	8.5	4.6	11.3	7.6	12.8	9.4	14.0	11.0	15.2	11.9	16.5

64 mm SLOT WIDTH														
Vertical 2 slot 350 diagram inlet														
600 mm														
Airflow	71	158	245	333	420	507	595							
*Total	1	5	13	24	39	57	78							
*Static	1	4	9	17	28	40	55							
NC Level	<15	<15	<15	18	26	32	37							
Throw	0.9	2.7	3.4	7.3	6.1	9.1	7.6	10.7	8.2	11.9	9.4	13.1	9.8	14.0
1200 mm														
Airflow	142	255	368	481	595	708	821							
*Total	3	10	20	34	52	73	99							
*Static	1	1	11	19	29	41	55							
NC Level	<15	<15	<15	21	28	33	38							
Throw	0.9	3.0	2.7	7.9	5.2	10.1	7.6	11.6	9.1	13.1	9.8	14.0	10.7	15.2
1500 mm														
Airflow	165	283	401	519	637	755	873							
*Total	4	11	22	36	54	76	102							
*Static	2	5	11	18	28	39	52							
NC Level	<15	<15	<15	22	28	34	38							
Throw	0.9	2.7	2.1	7.9	4.3	10.4	7.0	11.6	8.8	13.1	10.1	14.3	11.0	15.2

76 mm SLOT WIDTH														
Vertical 2 slot 350 diameter inlet														
600 mm														
Airflow	83	182	281	380	479	578	677							
*Total	1	6	15	28	45	65	90							
*Static	1	4	10	19	30	43	60							
NC Level	<15	<15	<15	20	27	33	38							
Throw	0.9	2.7	3.0	7.6	6.1	9.4	7.9	11.3	8.8	12.5	9.4	13.4	10.4	5.5
1200 mm														
Airflow	151	274	396	519	642	764	887							
*Total	3	10	22	37	56	80	107							
*Static	1	5	11	19	30	42	56							
NC Level	<15	<15	<15	22	27	34	39							
Throw	0.6	2.7	2.1	7.9	4.3	10.4	7.3	11.9	9.1	13.1	10.1	14.3	11.0	15.5
1500 mm														
Airflow	179	304	429	554	680	805	930							
*Total	4	11	22	37	56	78	104							
*Static	2	5	10	17	26	36	48							
NC Level	<15	<15	<15	21	28	33	38							
Throw	0.6	2.7	1.8	7.0	3.7	10.4	6.1	11.9	8.5	13.1	10.1	14.3	11.0	15.2

KEY INFORMATION

Throw based on diffuser installed in a standard suspended ceiling.

Throw in metres (m)

Pressure in Pascals (Pa)

Airflow in litre per second (l/s)

1. Data is based upon Price TWA engineered plenum (uninsulated) as a complete assembly. Throw values are given at 0.5 and 0.25m/s
2. Terminal velocities under isothermal conditions
3. NC (Noise criteria) values are based on 10dB room absorption re 10⁻¹² W
4. Data derived from tests conducted in accordance with ANSI/ASHRAE Standard 70-1991