



# PVA

- > Valve Diffuser
- > Ceiling Mounting Ring

## DESCRIPTION

Specifically designed for smaller rooms such as toilets, bathrooms, showers etc, this versatile product can be used for supply or extract applications and can be mounted on walls or ceilings.

## CONSTRUCTION

Steel with fixing ring.

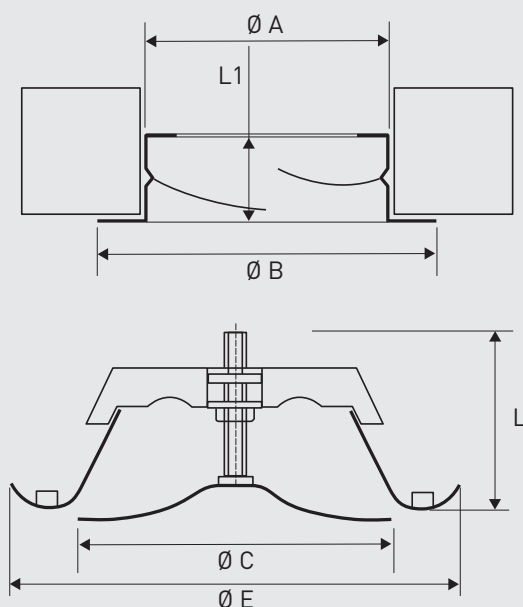
**Finish:**  
RAL 9010 white painted.

## MODELS

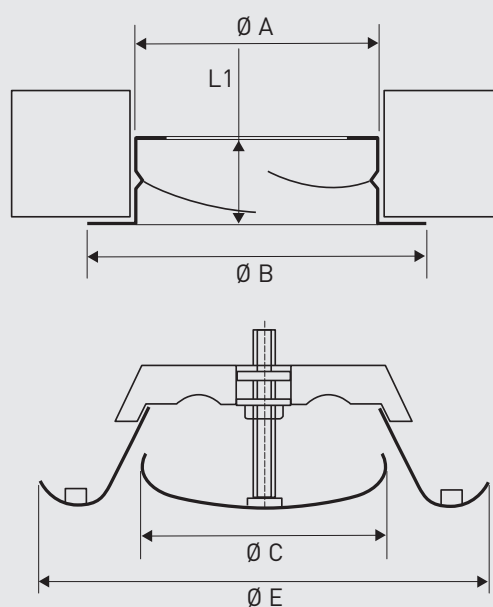
**PVA-S:** Supply valves in steel with mounting ring

**PVA-R:** Exhaust valves in steel with mounting ring

### PVA-S (SUPPLY)



### PVA-R (EXHAUST)



#### PVA – SUPPLY DIMENSIONS (mm)

Size	ØA	ØB	ØC	ØE	L	L1
100	99	125	85	140	55	50
125	124	150	110	170	65	60
150	149	175	135	205	65	60
160	159	185	145	215	65	60
200	199	225	195	255	65	60

#### PVA – RETURN DIMENSIONS (mm)

Size	ØA	ØB	ØC	ØE	L	L1
100	99	125	75	140	55	50
125	124	150	100	170	65	60
150	149	175	120	205	65	60
160	159	185	130	215	65	60
200	199	225	160	255	65	60

# PVA – SELECTION DATA

SUPPLY SELECTION DATA														
Air Volume (m <sup>3</sup> /s)		0.015	0.020	0.025	0.030	0.040	0.050	0.060	0.070	0.080	0.100	0.125	0.150	
Size	100	T	1.4	1.9	2.2	2.5	3.4							
		Pa	17	30	47	68	122							
		dB(A)	13	22	30	34	42							
	125	T			1.8	2.2	3.2	4.1	4.9					
		Pa			14	20	35	55	79					
		dB(A)			14	19	26	30	38					
	160	T						2.6	3	3.4	3.9	4.8		
		Pa						20	29	41	51	80		
		dB(A)						16	21	26	30	38		
	200	T							3.3	3.4	3.8	4.3	4.9	5.6
		Pa							14	19	25	40	61	88
		dB(A)							-	8	17	24	31	40

## KEY INFORMATION

Throw based on diffuser installed in a standard suspended ceiling.

**T** = Throw in metres (m)

**Pa** = Static Pressure Drop

**dB(A)** = Sound Pressure Level

RETURN SELECTION DATA														
Air Volume (m <sup>3</sup> /s)		0.010	0.015	0.020	0.025	0.030	0.035	0.040	0.050	0.060	0.070	0.080	0.100	
Size	100	Pa		28	48	76	105	145						
		dB(A)		21	28	35	39	43						
	125	Pa			32	49	70	96	123					
		dB(A)			20	26	30	35	38					
	160	Pa					32	43	58	90	132			
		dB(A)					22	26	29	35	41			
	200	Pa								21	30	41	52	82
		dB(A)								23	29	32	35	39