



PCLF

- > Circular Louvre Face Diffuser
- > Adjustable
- > 360° Delivery

APPLICATION

Circular ceiling diffuser with three adjustable cones. The diffuser delivers the air in a 360° radial horizontal pattern, producing excellent performance in variable air volume systems for both heating and cooling applications.

DESIGN

Corrosion-resistant steel or aluminium.

Finish:

White polyester powder finish RAL 9010 semi-gloss as standard. *Other finishes are also available.*

Options:

- Radial Sliding Blade Damper
- Radial Opposed Blade Damper
- Butterfly Damper
- Equalising Grid
- Damper/Equalising Grid

MODELS

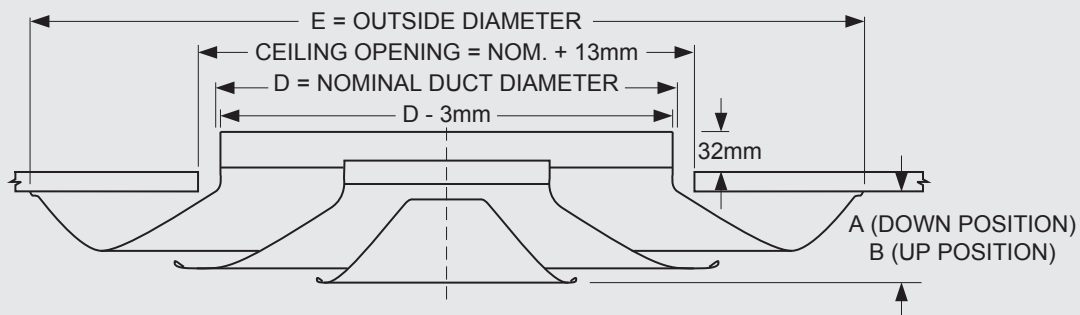
PCLF: Steel
PCLF-A: Aluminium

FLOW RATE POSITIONS

Position A (cones down):
provides maximum capacity at minimum noise levels

Position B (cones up):
provides higher induction and more air movement

PCLF – Circular Louvre Face Diffuser



Screwdriver adjustment of the optional balancing damper through the cones.

DIMENSIONS (mm)

D	A	B	E
152	44	29	295
203	54	38	365
254	73	54	456
305	79	60	549
406	102	83	737
508	149	124	946

NOTES

Discharge positions are easily site set by sliding the inner cone assembly up or down. The core is securely retained by a spring loaded friction arrangement.

D = Listed Neck Size

PCLF – SELECTION DATA

SUPPLY SELECTION DATA																		
Air Volume (m ³ /s)		0.030	0.040	0.050	0.060	0.080	0.100	0.125	0.150	0.200	0.250	0.300	0.400	0.500	0.600	0.700		
Size	152	T	1.3	1.3	1.7	2.2	2.9	3.8										
		Pa	3	5	13	14	27	40										
		dB(A)	-	-	-	23	32	42										
	203	T			1.5	1.7	2.4	2.9	3.8	4.9								
		Pa			4	5	10	15	25	40								
		dB(A)			-	-	20	25	29	39								
	254	T					2	2.5	3	3.8	4.8	6.1						
		Pa					4	6	9	15	25	38						
		dB(A)					-	-	20	27	33	40						
	305	T							2.6	3.2	4	5	6	6.6				
		Pa							4	6	10	10	26	40				
		dB(A)							-	-	22	20	32	42				
	406	T									3.3	3.3	5.3	6.4	7.2			
		Pa									4	6	9	15	35			
		dB(A)									-	-	20	31	40			
	508	T											4	5.5	5.8	8	9	
		Pa											3	7	12	15	20	
		dB(A)											-	-	24	30	36	

KEY INFORMATION

Throw based on diffuser installed in a standard suspended ceiling.

T = Throw in metres (m)

Pa = Static Pressure Drop

dB(A) = Sound Pressure Level