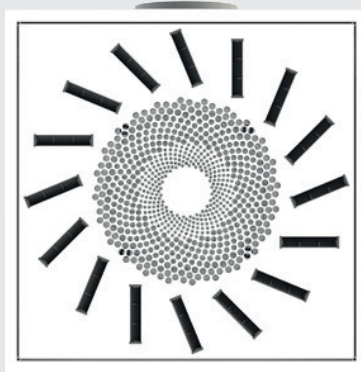




PNMF



- > Swirl Diffuser
- > Combined Supply/Return
- > T-Bar Mounting

DESCRIPTION

Supply and return diffuser with adjustable throws and multifunction plenum. For modular false-ceiling installation for contemporary air supply and return.

NOTES

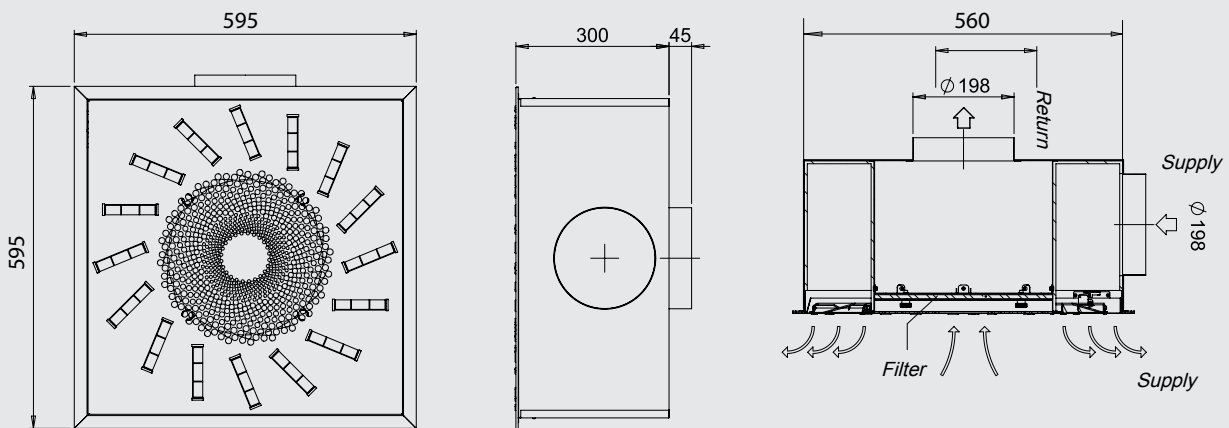
All dimensions are given in mm.

CONSTRUCTION

Steel diffuser with deflection blades made of polypropylene. Double flow plenum made with insulated galvanised steel.

Finish:

RAL 9010 white painted steel diffuser
RAL 9005 black deflection blades



SUPPLY SELECTION DATA

Model	Free Area	m ³ /s		dB(A)		m		Pa	
		min	max	min	max	min	max	min	max
PMNF	0.0189	0.044	0.104	24	33	2.2	4.3	10	50

KEY INFORMATION

Throw based on diffuser installed in a standard dropped ceiling.

m³/s = Air Volume

dB(A) = Sound Power Level

m = Velocity in metres

Pa = Static Pressure Drop