



WDVC

- ▶ Wall diffuser
- ▶ Transfer
- ▶ Fixed vane

Design:

Wall diffuser
 frame
 and vanes: extruded aluminium
 colour: white RAL 9010
 finish: epoxy powder

Volume damper
 frame
 and vanes: aluminium
 finish: anodised

Available types:

WDVC - O

W wall diffuser
D transfer
V fixed vane 45,
 centre to centre 18 mm
C frame mounting 35 mm
 fixed core

- **accessories**
O none
V volume damper

O not applicable

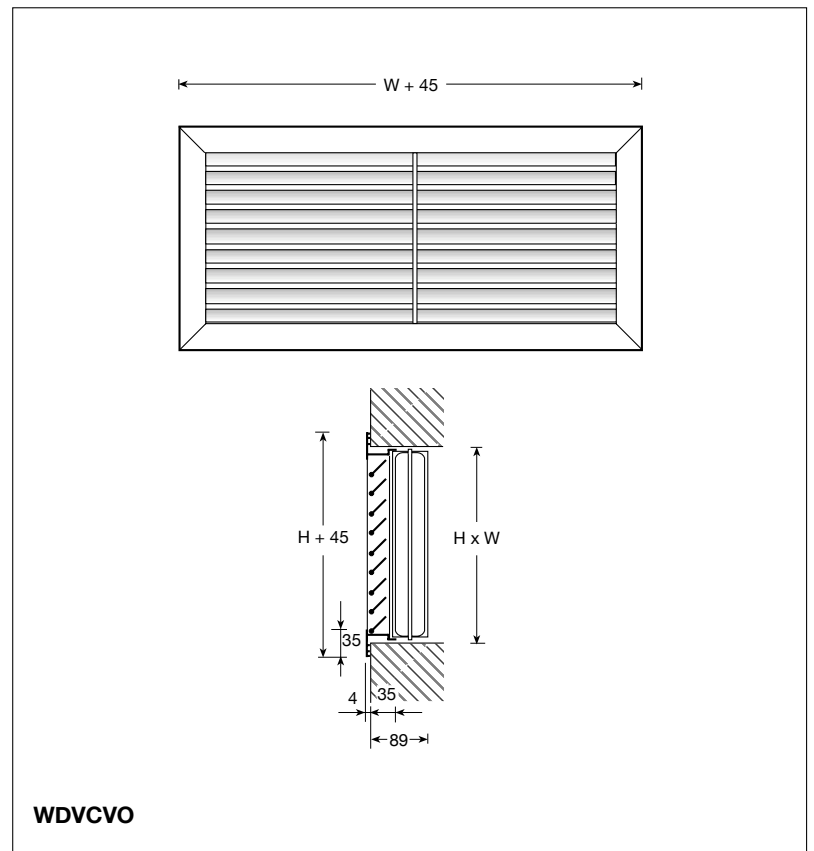
Application:

Wall diffuser type WDVC is suitable for the return air and as transfer or overflow diffuser. The diffuser can be mounted to the wall. The fixed horizontal vanes prevent looking in. Mounting of a WDVC on both sides of a wall provides a non-vision effect.

Features:

Free area: 60 %

Dimensions:



Remarks:

The stated dimensions $W \times H$ are nominal sizes in mm (hole or duct size).
 The actual width is $W - 5$ mm.
 The actual height is $H - 5$ mm.

For the preferable dimensions see the performance data.
 Alternative sizes are available upon request.

Performance data WDCV:

Air volume		H	W=225	325	425	525	625	825	1025	1225
m ³ /s	m ³ /h		Ps Lp	Ps Lp	Ps Lp	Ps Lp	Ps Lp	Ps Lp	Ps Lp	Ps Lp
0,015	54	75	14 23	6 14	4 -					
0,020	72	75	25 31	11 22	6 16	4 11	3 -			
		125	4 10	2 -						
0,025	90	75	40 37	18 28	10 21	6 17	4 13			
		125	6 16	3 7						
0,030	108	75	57 41	25 32	14 26	9 21	6 17	4 11		
		125	9 21	4 12	2 -					
0,040	144	75		45 40	25 34	16 29	11 25	6 19	4 14	3 10
		125	15 28	7 20	4 13					
0,050	180	75	24 34	11 25	6 19	4 14	3 10			
		225	5 17							
0,060	216	125	35 39	15 30	9 24	6 19	4 15			
		225	7 22	3 13						
0,080	288	125		28 38	15 31	10 26	7 23	4 16	2 11	
		225	13 29	6 20	3 14					
0,100	360	225	20 35	9 26	5 20	3 15	2 11			
		325	8 25	4 17						
0,125	450	225	31 41	14 32	8 26	5 21	3 17			
		325	13 31	6 22	3 16	2 11				
		425	7 25	3 16						
0,150	540	225	44 45	20 37	11 30	7 26	5 22	3 15	2 10	
		325	18 36	8 27	5 21	3 16	2 12			
		425	10 29	4 21	3 14					
		525	6 24	3 15						
0,200	720	225		35 44	20 38	13 33	9 29	5 23	3 18	
		325	33 43	15 35	8 28	5 24	4 20	2 13		
		425	18 37	8 28	4 22	3 17	2 13			
		525	11 32	5 23	3 17	2 12				
0,300	1080	225					20 40	11 33	7 29	5 25
		325			18 39	12 34	8 30	5 24	3 19	2 15
		425		18 39	10 32	6 28	4 24	3 17	2 12	
		525	25 42	11 34	6 27	4 22	3 19	2 12		
0,400	1440	325				21 42	15 38	8 31	5 27	4 23
		425			18 40	11 35	8 31	4 25	3 20	2 16
		525		20 41	11 35	7 30	5 26	3 20	2 15	
		625	31 46	14 37	8 31	5 26	3 22	2 16		
0,500	1800	425				18 41	12 37	7 31	4 26	3 22
		525			18 41	11 36	8 32	4 26	3 21	2 17
		625		21 43	12 37	8 32	5 28	3 21	2 17	
0,600	2160	425					18 42	10 35	6 31	4 27
		525			25 45	16 41	11 37	6 30	4 25	3 22
		625		31 48	17 41	11 36	8 32	4 26	3 21	2 17
0,800	2880	525					20 44	11 38	7 33	5 29
		625				20 44	14 40	8 34	5 29	3 25
1,000	3600	525						18 44	11 39	8 35
		625				31 50	21 46	12 40	8 35	5 31
m ³ /s	m ³ /h	H	Ps Lp	Ps Lp	Ps Lp	Ps Lp	Ps Lp	Ps Lp	Ps Lp	Ps Lp

General:

The pressure drop applies when the volume damper is in full open position.

- static pressure drop Ps in Pa.
- The adopted room absorption is 10 dB.
- sound pressure level Lp in dB(A).

Interpolation of intermediate values is acceptable.