



# JTGA

- ▶ Jetflow diffuser
- ▶ Supply

## Design:

**Jet flow diffuser**  
 frame: extruded aluminium  
 core: steel  
 finish: epoxy powder  
 colour: white RAL 9010

## Available types:

**J T G - O O**

**J** jet flow diffuser  
**T** supply  
**G** straight vane

- **frame**  
**A** 25 mm  
**O** none, round design  
 fits directly into end of duct

**O** no accessories  
**O** not applicable

## Application:

Jet flow diffuser type JTG is suitable for cooled and heated air supply in big rooms. It is especially designed for halls, warehouses, exhibition rooms, sports halls etc. with a minimum height of 6 m. The diffuser consists of a number of concentric rings that can be adjusted by a cardanic suspension in all directions up to a max. angle of 30°. One to four elements have been constructed together onto a panel.

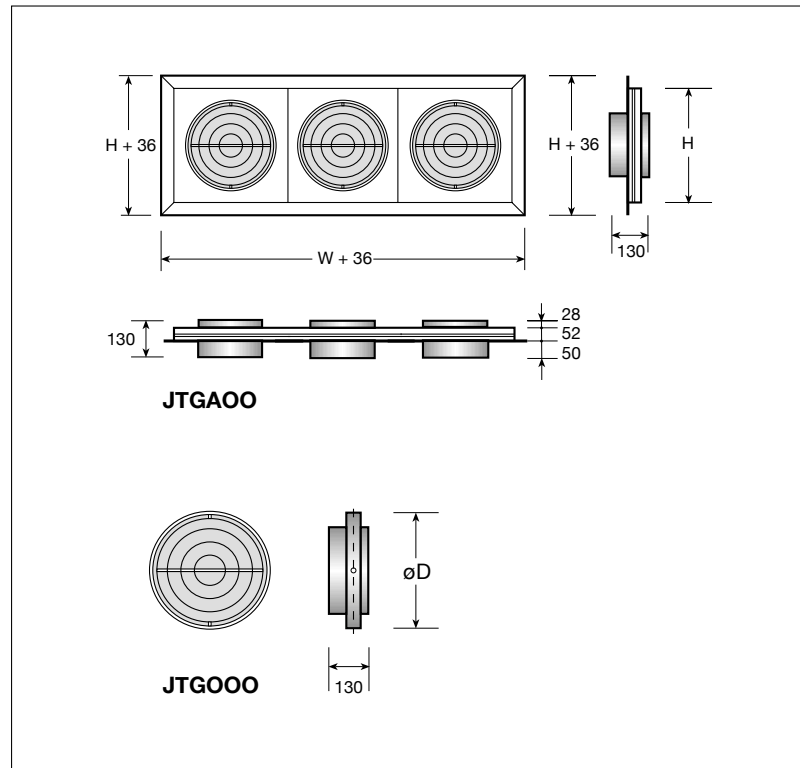
## Features:

Max. exchange rate: up to 8x  
 Under temperature: up to 10 K  
 Over temperature: up to 15 K

## Dimensional data:

Model	H	D	Width			
			1 el	2 el	3 el	4 el
160	260	158	260	505	750	995
200	310	198	310	605	900	1195
250	360	248	360	705	1050	1395
315	410	313	410	805	1200	1595

## Dimensions



## Remarks:

The stated dimensions are sizes in mm (hole or duct size).  
 The actual width is  $W - 5$  mm.  
 The actual height is  $H - 5$  mm.

## Performance data JTGA:

Air volume		model	1 element			2 elem.			3 elem.			4 elem.		
m <sup>3</sup> /s	m <sup>3</sup> /h		T	Ps	Lp	T	Ps	Lp	T	Ps	Lp	T	Ps	Lp
0,100	360	160	11	36	27	10	9	12						
		200	11	18	19									
0,125	450	160	12	57	33	11	15	18	10	7	9			
		200	11	28	25	10	7	10						
0,150	540	160	13	82	38	11	21	23	11	9	14	10	5	8
		200	12	40	30	11	10	15						
		250	11	13	18									
0,200	720	160	15	145	45	13	37	30	12	17	22	11	10	15
		200	14	71	37	12	18	22	11	8	14			
		250	12	24	26	11	6	10						
		315	11	9	15									
0,250	900	160	17	226	51	14	59	36	13	26	37	12	15	21
		200	16	111	43	13	28	28	12	13	20	11	7	13
		250	14	37	31	12	9	16						
		315	12	14	21									
0,300	1080	160	20	326	56	16	84	41	14	38	32	13	21	26
		200	18	160	48	14	41	33	13	18	24	12	10	18
		250	15	53	36	13	13	21	11	6	12			
		315	13	20	26									
0,400	1440	160				19	149	48	17	67	40	15	38	34
		200	21	284	55	17	72	41	15	32	31	14	18	25
		250	18	95	44	14	23	29	13	10	20	12	6	13
		315	15	35	33	13	9	18						
0,500	1800	160				22	234	54	19	105	46	17	59	39
		200				19	113	46	17	51	38	16	28	31
		250	20	148	50	16	37	34	15	16	26	13	9	19
		315	17	54	39	14	14	24						
0,600	2160	160							22	151	50	20	85	44
		200				21	163	51	19	73	42	17	41	36
		250	23	213	54	18	53	39	16	24	30	15	13	24
		315	20	78	44	16	19	29	14	9	20			
0,800	2880	160							26	269	58	24	152	52
		200				27	290	58	23	130	50	21	73	44
		250				22	94	47	19	42	37	17	24	32
		315	24	139	51	19	35	36	16	15	27	15	9	21
1,000	3600	160										28	237	57
		200							27	203	56	24	114	49
		250				26	146	52	22	65	44	20	37	38
		315	28	217	57	22	54	42	19	24	33	17	14	27
1,250	4500	200							32	317	62	29	179	55
		250				30	228	58	26	102	49	23	58	43
		315				25	84	48	22	37	39	20	21	33
1,500	5400	200										33	257	60
		250							30	147	54	27	83	48
		315				29	121	53	25	54	44	22	31	38
2,000	7200	250							38	261	61	33	148	56
		315				36	216	60	31	96	51	28	55	45
2,500	9000	250										40	231	61
		315							37	150	57	33	85	51
3,000	10800	315							43	216	61	38	123	56
4,000	14400	315										49	218	63
m <sup>3</sup> /s	m <sup>3</sup> /s	model	T	Ps	Lp	T	Ps	Lp	T	Ps	Lp	T	Ps	Lp

## General:

- The throw is stated without ceiling influence.
- throw T in meters.
- The pressure drop applies without volume damper.
- static pressure drop Ps in Pa.
- The adopted room absorption is 10 dB.
- sound pressure level Lp in dB(A).

Interpolation of intermediate values is acceptable.