



# PDC

- > Circular Swirl Diffuser
- > Fanned Pattern
- > Adjustable Blades

## DESCRIPTION

The PDC provides a full range of air patterns, from horizontal through intermediate to vertical. Swirling supply air rapidly induces room air, decreasing velocity and temperature difference.

## CONSTRUCTION

Bell in aluminium, fins in steel.

### Finish:

Painted white RAL 9010.

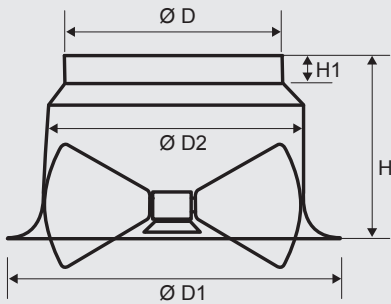
### Options:

- Galvanised steel connecting plenum with insulation and damper
- Equalizer mesh

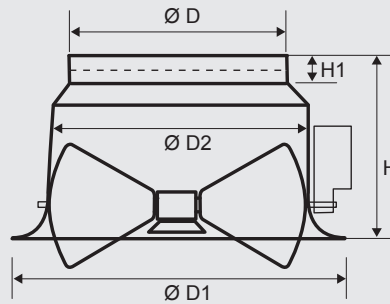
## MODELS

- PDC:** Diffuser with adjustable blades
- PDC-E:** Includes equalizer
- PDC-E-M:** Includes Motor
- PDC-E-P:** 595 x 595 modular

PDC – Swirl Diffuser



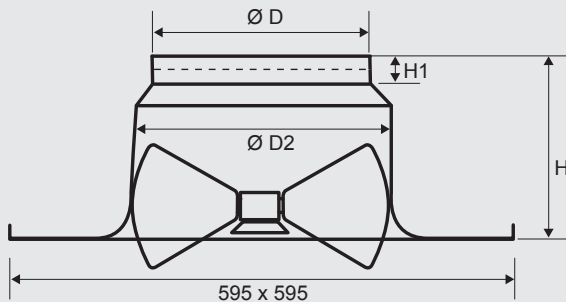
PDC-E-M



**DIMENSIONS (mm)**

BxH	ØD	ØD1	ØD2	H	H1
200	198	310	242	174	40
250	248	400	315	200	40
315	313	475	375	235	40
400	398	600	460	260	50
500	498	785	570	315	60
630	628	920	700	320	65

PDC-E-P



# PDC – SELECTION DATA

SUPPLY SELECTION DATA								
Size	m <sup>3</sup> /s		dB(A)		m		Pa	
	min	max	min	max	min	max	min	max
200	0.086	0.263	39	64	2.1	6.7	10	50
250	0.127	0.391	38	62	2.4	7.7	10	50
315	0.194	0.594	37	61	2.9	9.1	10	50
400	0.300	0.911	36	60	3.6	11.2	10	50
500	0.450	1.361	35	59	4.5	14.5	10	50
630	0.680	2.061	34	58	6.1	20.9	10	50

## KEY INFORMATION

Throw based on diffuser installed in a standard suspended ceiling.

**m<sup>3</sup>/s** = Air Volume

**dB(A)** = Sound Power Level

**m** = Velocity in metres

**Pa** = Static Pressure Drop