



Application:

The round, conic Swirl diffuser type RTF is suitable for the supply of cooled or heated air with a big temperature difference and is applicable into constant and variable volume installations.

The housing consists of a round aluminium nozzle body with ten fixed Swirl blades. The diffuser can be easily installed in the separate plenum box by means of a central screw.

An optional fixing ring can be supplied for easy mounting in a ceiling tile, no tools needed.

Features:

Max. exchange rate: up to 15 x
Under temperature: up to 10 K
Over temperature: up to 15 K

Dimensional data:

model	A	B	C	D1	D2
125	185	165	205	124	123
160	220	210	250	159	158
200	260	260	310	199	198
250	310	330	380	249	248
315	375	395	435	314	313

model	G	H	K	P _{min}	P _{max}
125	185	70	35	245	265
160	220	95	35	285	305
200	260	110	45	330	350
250	310	130	55	390	420
315	375	165	55	460	490

Remarks

The dimensions are given in mm.

For Tee-bar mounting see type RTFM page .266

The diffuser can also be used for return air. In this case the L_p and P_s values in the table can be used.

Connection "D" is actual O.D.

RTFO

- ▶ Swirl diffuser
- ▶ Supply, round
- ▶ Fixed blades

Design:

Swirl diffuser

round metal
nozzle body: aluminium
swirl blades: aluminium
finish: epoxy powder
colour: white RAL 9010
or as desired
(additional price)

Plenum box

material: galvanised sheet
steel
interior lining: 12 mm
finish: none

Available types:

RTFO--

R round diffuser
T supply
F swirl type, fixed blades
O round, surface mounted

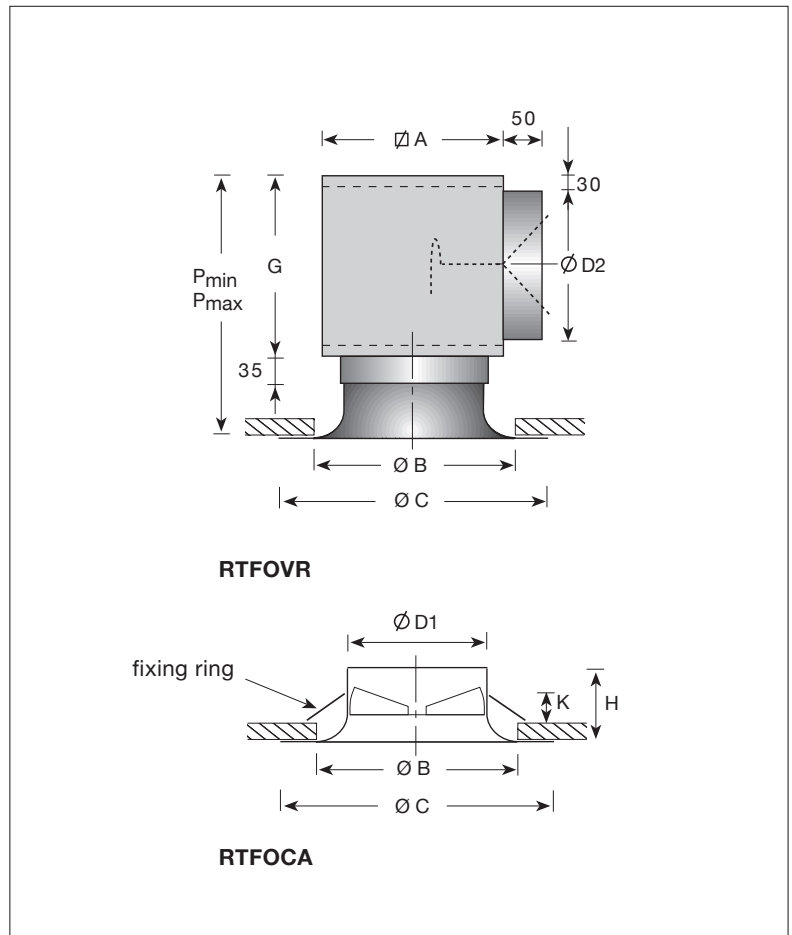
- accessories

O none
C fixing ring (RTFO-A only)
V damper (only in combination with a plenumbox)

- designed with

A round top connection
U unlined plenum box (delivered separately)
R lined plenum box (delivered separately)

Dimensions:



Performance data RTFO:

air volume		model														
		125			160			200			250			315		
m ³ /s	m ³ /h	T	Ps	Lp	T	Ps	Lp	T	Ps	Lp	T	Ps	Lp	T	Ps	Lp
0.015	54	0.7	11	-												
0.020	72	1.0	19	15	0.7	5	-									
0.025	90	1.1	30	22	0.9	8	-									
0.030	108	1.4	43	27	1.1	12	11	0.8	3	-						
0.040	144	1.9	70	36	1.4	21	20	1.1	6	-						
0.050	180	2.4	120	43	1.8	33	27	1.4	9	16	1.0	3	-			
0.060	216				2.2	47	32	1.7	13	21	1.3	5	-			
0.080	288				2.8	83	41	2.2	24	30	1.8	10	17	1.4	4	-
0.100	360							2.8	37	37	2.1	15	24	1.7	6	11
0.125	450							3.4	59	44	2.8	24	31	2.1	9	17
0.150	540										3.3	34	36	2.6	13	23
0.200	720										4.3	60	45	3.5	23	32
0.250	900													4.2	37	38
0.300	1080													5.1	53	44

General:

The throw applies to flush fitting into a flat ceiling.
 throw T in meters.
 static pressure drop Ps in Pa
 The adopted room absorption is 10 dB.
 sound pressure level Lp in dB(A).