

PDL

- > Drum Louvres
- > High Capacity
- > Adjustable Vanes

DESCRIPTION

Our drum louvres are high air capacity terminals designed for exposed duct or sidewall installations for applications requiring a long jet throw, such as sports complexes, atria, factory workshops and warehouses.

With adjustable spread and direction control the PDL range is suitable for both heating and cooling.

NOTES

All dimensions are given in mm.

CONSTRUCTION

Extruded anodised aluminium with brush strips.

Finish:

SAA Sliver or stove enamelled colours available in BS or RAL ranges. *Powder coat finish is not recommended.*

MODELS

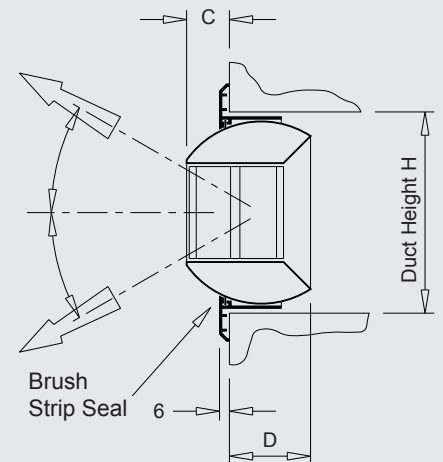
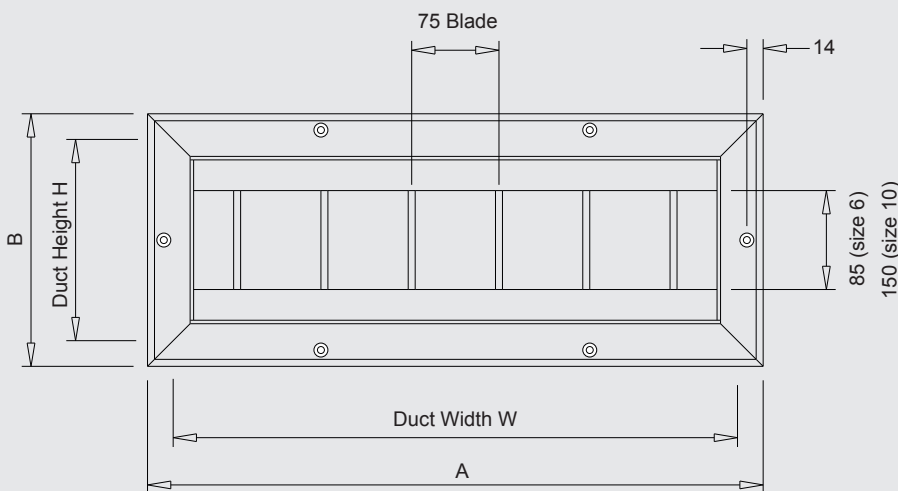
PDL: Adjustable vane

PDL-D: Additional adjustable blades

DIMENSIONS (mm)

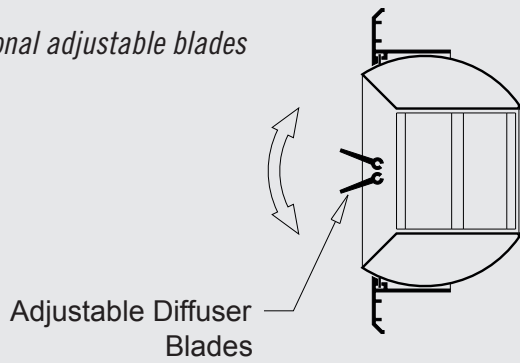
Size	A	B	W	H	C	D	Weight (kg)
906	300	217	261	170	36	87	1.5
1206	376	217	337	170	36	87	1.7
1806	529	217	490	170	36	87	2
2406	681	217	642	170	36	87	2.5
2010	579	319	540	271	63	138	5.5
2510	706	319	667	271	63	138	6.5
3010	833	319	794	271	63	138	7.0
3510	960	319	921	271	63	138	7.5

PDL – Drum Louvre

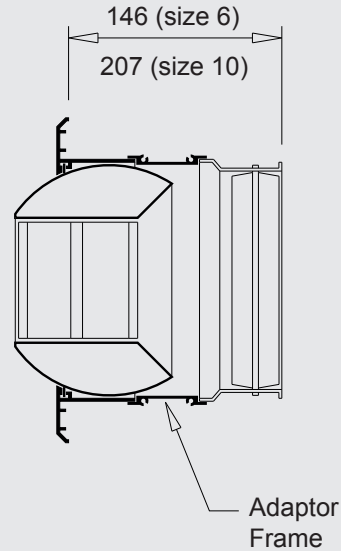


PDL – OPTIONS

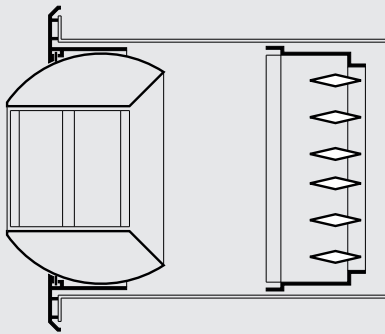
PDL-D
Additional adjustable blades



PDL-OB
Opposed blade damper



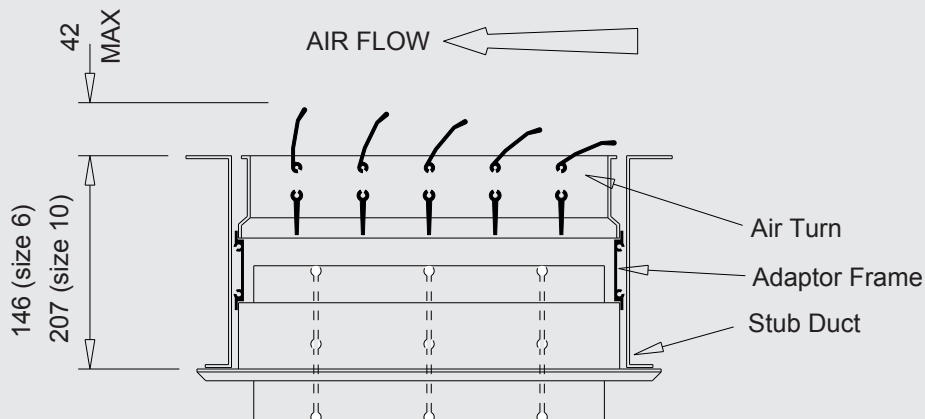
PDL-RD
Rhomboidal damper



Suitable for installations with short or no stub ducts. The blade profiles can be progressively adjusted across the width to give an even velocity distribution at the outlet.

General purpose damper for installations with a reasonable length of stub duct.

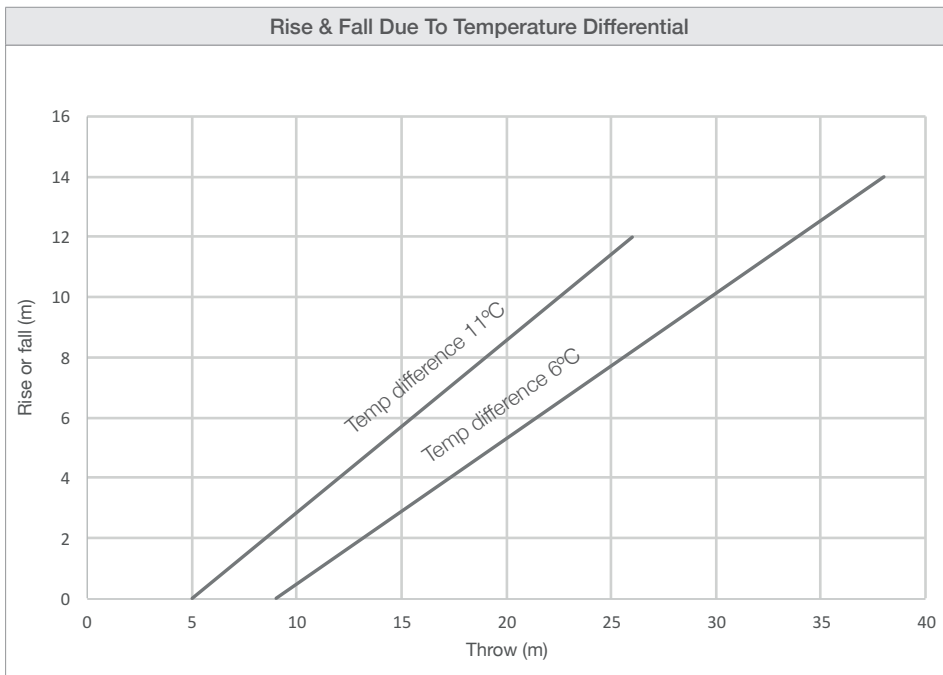
PDL-VED
Volume equalising deflector



Suitable for installations with short stub ducts and high air velocities in the main branch. The two sets of blades can be individually adjusted to give an even velocity distribution and can be adjusted for volume control. For easier volume control, an opposed blade damper can be supplied in addition to the VED.

PDL – SELECTION DATA

SUPPLY SELECTION DATA																											
Air Volume (m ³ /s)		0.060	0.080	0.100	0.125	0.150	0.175	0.200	0.250	0.300	0.350	0.400	0.450	0.500	0.600	0.700	0.800	0.900	1.000	1.100	1.200	1.300	1.400	1.500			
Size	906	T	2	3	4	5	10	14	16	24																	
		Pa	6	14	24	28	50	65	96	130																	
		NC	-	-	15	16	22	25	27	34																	
	1206	T		2	3	3	6	8	10	16	24																
		Pa		8	12	18	25	38	48	72	120																
		NC		-	-	-	16	20	23	28	33																
	1806	T			2	2	4	5	6	12	16	20	26	32													
		Pa			6	10	15	16	20	40	60	70	80	110													
		NC			-	-	-	14	15	22	25	27	32	34													
	2406	T					2	3	4	7	10	14	17	22	28	38											
		Pa					6	8	10	18	25	30	40	50	72	100											
		NC					-	-	-	15	20	22	25	27	30	34											
	2010	T								3	5	6	9	11	14	17	26	33	40								
		Pa								8	12	15	22	25	32	36	60	90	100								
		NC								-	14	16	19	22	25	24	31	34	36								
	2510	T										5	6	7	10	14	19	24	30	35	41						
		Pa										10	12	15	18	26	40	50	62	75	85						
		NC										14	15	18	20	23	26	30	32	33	36						
	3010	T											4	6	7	10	15	18	24	28	35	40	44				
		Pa											6	10	12	18	25	27	38	46	60	70	85				
		NC											-	14	16	20	24	26	28	30	34	35	36				
	3510	T												4	6	8	11	15	18	22	28	34	38	42	44		
		Pa												8	10	14	18	24	28	38	45	50	65	75	90		
		NC												-	-	17	21	24	26	28	30	32	34	36	38		



KEY INFORMATION

Throw based on diffuser installed in a standard suspended ceiling.

T = Throw in metres (m)

Pa = Static Pressure Drop

NC = Sound Pressure Level