

# PMRT

- > Diffuser
- > Combined Supply/Return
- > T-Bar mounting

## DESCRIPTION

Supply and return diffuser with adjustable throws and multifunction plenum. For modular false-ceiling installation for contemporary air supply and return.

## NOTES

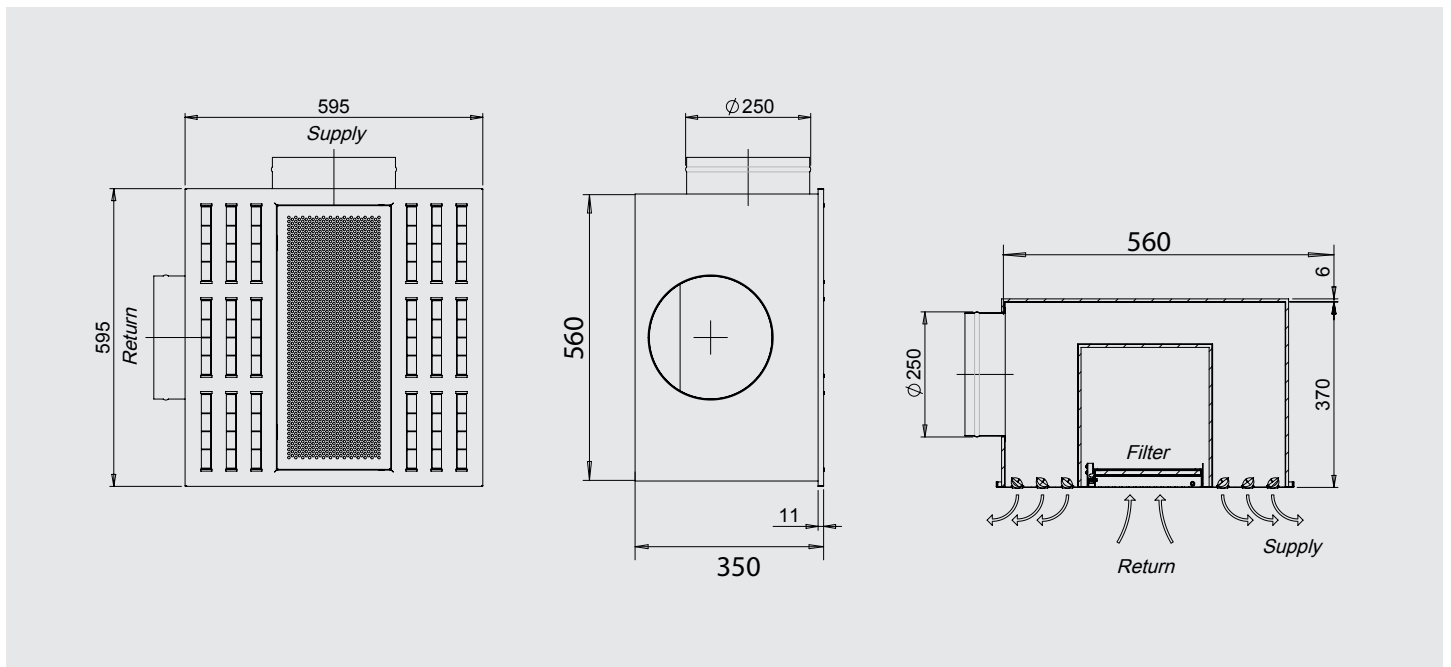
All dimensions are given in mm.

## CONSTRUCTION

Steel diffuser with deflection blades made of polypropylene. Double flow plenum made with insulated galvanised steel.

### Finish:

RAL 9010 white painted steel diffuser  
RAL 9005 black deflection blades



## SUPPLY SELECTION DATA

Model	Free Area	m <sup>3</sup> /s		dB(A)		m		Pa	
		min	max	min	max	min	max	min	max
PMRT	0.0219	0.052	0.116	24	34	2	3.9	10	50

## KEY INFORMATION

Throw based on diffuser installed in a standard dropped ceiling.

**m<sup>3</sup>/s** = Air Volume

**dB(A)** = Sound Power Level

**m** = Velocity in metres

**Pa** = Static Pressure Drop