

PDCT

- > Thermal Swirl Diffuser
- > Fanned Pattern
- > Adjustable Blades

DESCRIPTION

Variable geometry circular diffusers by thermostatic actuator. For ceiling or wall installation and for air delivery.

CONSTRUCTION

Bell in aluminium, fins in steel.

Finish:

Painted white RAL 9010.

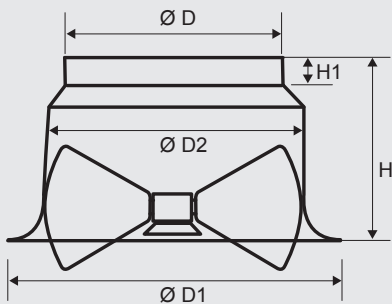
Options:

- Galvanized steel connecting plenum with insulation and damper

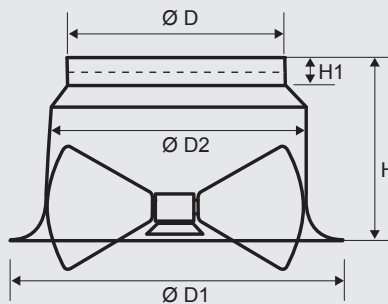
MODELS

- PDCT:** Diffuser with thermostatic actuator
- PDCT-E:** Includes equalizer
- PDCT-P:** 595 x 595 modular

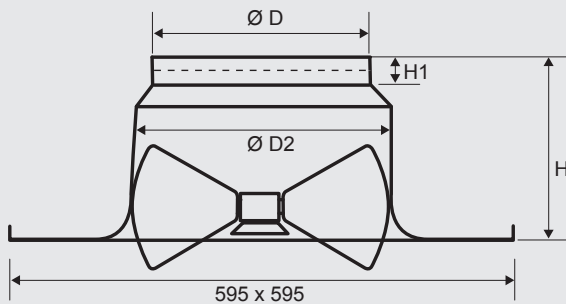
PDCT– Thermal Swirl Diffuser



PDCT-E



PDCT-P



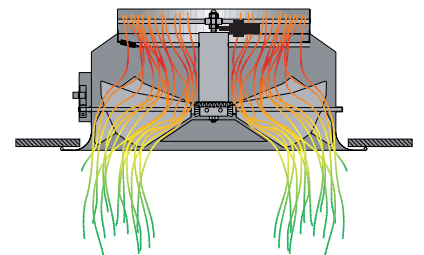
DIMENSIONS (mm)

| BxH | ØD | ØD1 | ØD2 | H | H1 |
|-----|-----|-----|-----|-----|----|
| 200 | 198 | 310 | 242 | 174 | 40 |
| 250 | 248 | 400 | 315 | 200 | 40 |
| 315 | 313 | 475 | 375 | 235 | 40 |
| 400 | 398 | 600 | 460 | 260 | 50 |
| 500 | 498 | 785 | 570 | 315 | 60 |
| 630 | 628 | 920 | 700 | 320 | 65 |

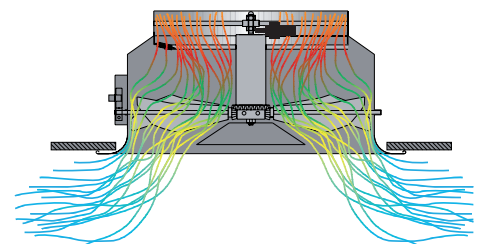
NOTES

Thermal actuator adjusts angle of the blades automatically. Temperature range is from 15°C to 30°C.

FLOW IN HEATING



FLOW IN COOLING



PDCT – SELECTION DATA

| SUPPLY SELECTION DATA | | | | | | | | |
|-----------------------|-------------------|-------|-------|-----|-----|------|-----|-----|
| Size | m ³ /s | | dB(A) | | m | | Pa | |
| | min | max | min | max | min | max | min | max |
| 200 | 0.086 | 0.263 | 39 | 64 | 2.1 | 6.7 | 10 | 50 |
| 250 | 0.127 | 0.391 | 38 | 62 | 2.4 | 7.7 | 10 | 50 |
| 315 | 0.194 | 0.594 | 37 | 61 | 2.9 | 9.1 | 10 | 50 |
| 400 | 0.300 | 0.911 | 36 | 60 | 3.6 | 11.2 | 10 | 50 |
| 500 | 0.450 | 1.361 | 35 | 59 | 4.5 | 14.5 | 10 | 50 |
| 630 | 0.680 | 2.061 | 34 | 58 | 6.1 | 20.9 | 10 | 50 |

KEY INFORMATION

Throw based on diffuser installed in a standard suspended ceiling.

m³/s = Air Volume

dB(A) = Sound Power Level

m = Velocity in metres

Pa = Static Pressure Drop

Thermostatic Regulation

