

PEC

- > Eggcrate Grille
- > Return
- > High Capacity

DESCRIPTION

Our eggcrate grilles are constructed of an interlocking aluminium lattice. They are most suitable for use as ceiling returns.

CONSTRUCTION

Extruded aluminium frame with an aluminium grid core (13 x 13 x 13 mm).

Finish:

White polyester powder finish RAL 9010 semi-gloss as standard.

Options:

- *Opposed blade damper*
- *Concealed mountings*
- *Narrow frame*

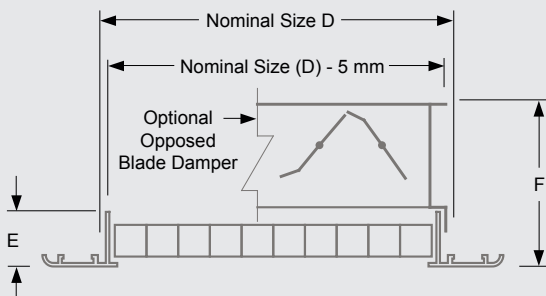
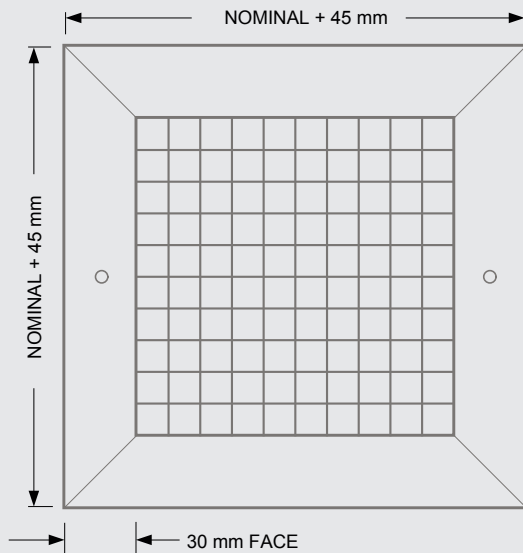
MODELS

PEC: Surface Mount
PEC-L: Lay-in T-Bar

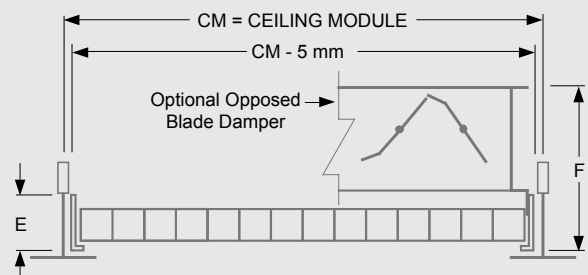
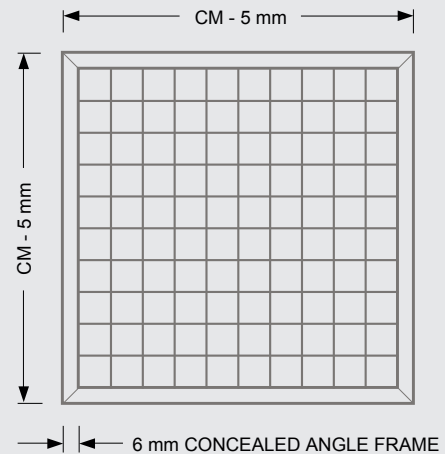
NOTES

Overall flange to flange dimension = listed size + 32mm. Optional Type Narrow Frame has a 25 mm face border.

PEC – Surface Mount



PEC – Lay-In, Concealed Frame



PEC - SELECTION DATA

SELECTION DATA																										
Round Side Connection																										
Air Volume m ³ /s		0.010	0.013	0.015	0.020	0.025	0.030	0.040	0.050	0.060	0.080	0.100	0.125	0.150	0.200	0.250	0.300	0.400	0.500	0.600	0.800	1.000	1.250	1.500		
Size	100 x 100	Pa	8	12	17	33	48	68																		
		dB(A)	-	-	-	18	24	32																		
	150 x 150	Pa					9	12	22	35	50															
		dB(A)					-	-	17	21	29															
	200 x 200	Pa							8	13	19	32	52													
		dB(A)							-	10	15	23	28													
	300 x 300	Pa											7	11	16	28	44	64								
		dB(A)											-	12	17	27	31	37								
	400 x 400	Pa														7	12	17	29	46	64					
		dB(A)														10	16	21	28	34	38					
	500 x 500	Pa																6	12	17	24	43	70			
		dB(A)																-	17	22	28	36	42			
	600 x 600	Pa																		8	11	22	31	48	69	
		dB(A)																		14	18	30	33	39	42	

KEY INFORMATION

Pa = Static Pressure Drop
dB(A) = Sound Pressure Level

Round Top Connection																											
Air Volume m ³ /s		0.010	0.013	0.015	0.020	0.025	0.030	0.040	0.050	0.060	0.080	0.100	0.125	0.150	0.200	0.250	0.300	0.400	0.500	0.600	0.800	1.000	1.250	1.500	2.000	2.500	
Size	100 x 100	Pa	5	7	10	17	28	43	73																		
		dB(A)	-	-	-	16	23	29	40																		
	150 x 150	Pa					3	5	9	13	19	33	53														
		dB(A)					-	-	-	15	21	32	38														
	200 x 200	Pa							3	6	7	12	19	30	45												
		dB(A)							-	-	-	11	18	27	31												
	300 x 300	Pa											3	4	6	10	16	24	42	64							
		dB(A)											-	-	-	14	22	31	37	44							
	400 x 400	Pa														3	4	6	11	17	28	45	70				
		dB(A)														-	-	-	19	25	32	42	51				
	500 x 500	Pa																2	4	7	9	17	25	41	59		
		dB(A)																-	-	12	19	28	36	44	51		
	600 x 600	Pa																		3	4	8	12	18	27	46	74
		dB(A)																		-	-	17	25	31	38	47	55

Top Connection																												
Air Volume m ³ /s		0.010	0.013	0.015	0.020	0.025	0.030	0.040	0.050	0.060	0.080	0.100	0.125	0.150	0.200	0.250	0.300	0.400	0.500	0.600	0.800	1.000	1.250	1.500	2.000	2.500		
Size	100 x 100	Pa	5	8	11	22	31	45																				
		dB(A)	-	-	-	16	23	31																				
	150 x 150	Pa					3	5	8	12	17	31	48	77														
		dB(A)					-	-	-	15	21	32	38	45														
	200 x 200	Pa							2	3	6	9	14	21	31	56												
		dB(A)							-	-	-	11	16	25	31	40												
	300 x 300	Pa											2	3	4	8	13	18	33	50	73							
		dB(A)											-	-	-	14	22	28	39	44	52							
	400 x 400	Pa														2	3	5	9	14	20	36	57					
		dB(A)														-	-	-	19	25	32	42	52					
	500 x 500	Pa																	3	5	8	15	21	34	48			
		dB(A)																	-	13	19	28	36	43	51			
	600 x 600	Pa																		2	3	6	10	15	22	39	60	
		dB(A)																		-	-	17	25	32	38	48	56	