

WTHA

- ▶ Wall diffuser
- ▶ Supply
- ▶ High induction

Design:

Wall diffuser

frame: extruded aluminium
 core: steel
 finish: epoxy powder
 colour: white RAL 9010

Volume damper

frame and vanes: extruded aluminium
 finish: none

Available types:

W T H - - O

W wall diffuser
T supply
H high induction

- Frame

- A** 25 mm, removable core (standard)
- B** 6 mm, removable core
- U** U-frame

- Accessories

- O** none
- V** volume damper
- B** volume damper and deflectrol 15°
- S** deflectrol 15°

O not applicable

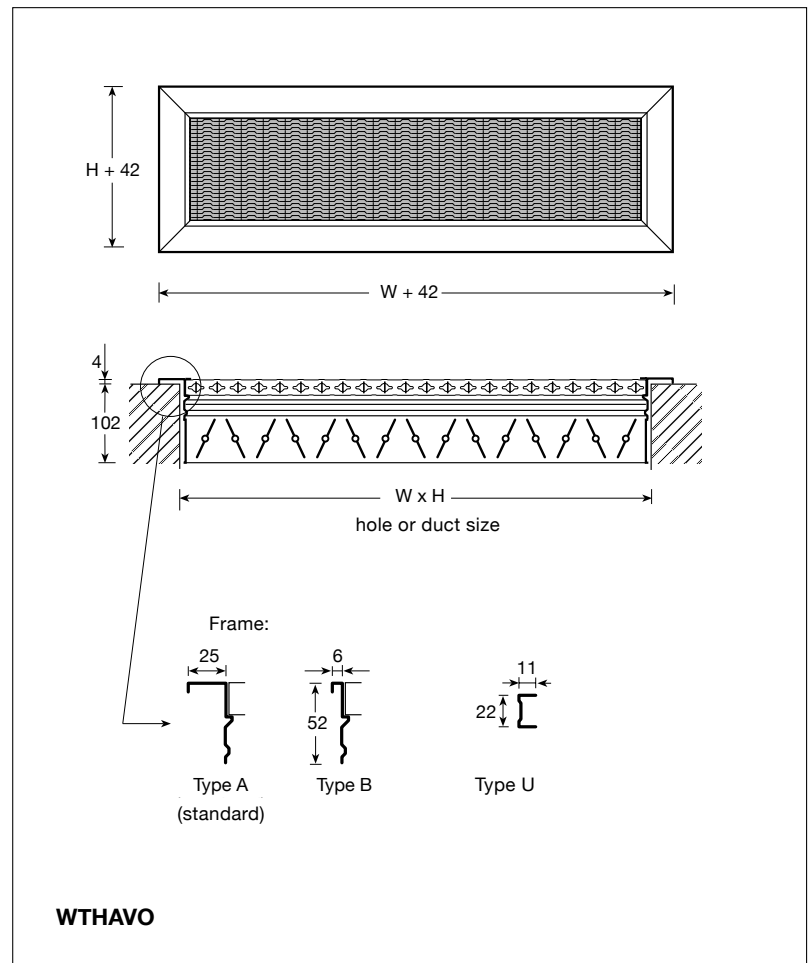
Application:

Wall diffuser type WTH is suitable for the supply of cooled and heated air with a big temperature difference compared with the room temperature. The diffuser is mechanically very strong. The high induction core makes a large exchange rate feasible and the diffuser has a short throw. The horizontal and vertical fins being in one surface guarantees an optimum wide-spread pattern. The choice for a straight or wide-spread forced air outflow pattern can be indicated when placing an order.

Features:

Max. exchange rate:	up to 16 x
Under temperature:	up to 10 K
Over temperature:	up to 15 K
Free area:	85%

Dimensions:



Remarks:

The stated dimensions WxH are sizes in mm (hole or duct size).

The actual width is W-5 mm.

The actual height is H-5 mm.

For the preferable dimensions see the performance data.

Alternative sizes are available upon request.

Maximum single core 1225 x 325 mm.

Performance data WTHA:

Air volume		H	W = 225			325			425			525			625			825			1025			1225											
m ³ /s	m ³ /h		T	Ps	Lp	T	Ps	Lp	T	Ps	Lp	T	Ps	Lp	T	Ps	Lp	T	Ps	Lp	T	Ps	Lp	T	Ps	Lp									
0,015	54	75	2,3	2	-																														
0,020	72	75	3,1	4	-																														
0,025	90	75	3,8	6	-	2,6	3	-																											
0,030	108	75	4,6	9	10	3,2	4	-	2,4	2	-																								
		125	3,6	2	-																														
0,040	144	75	6,1	15	18	4,2	7	-	3,2	4	-	2,6	2	-																					
		125	4,8	4	-																														
0,050	180	75				5,3	10	15	4,0	6	-	3,2	4	-	2,7	3	-																		
		125	6,0	6	-	4,1	2	-																											
0,060	216	75				6,3	15	19	4,8	8	13	3,9	5	-	3,2	4	-																		
		125	7,2	8	12	4,9	4	-	3,8	2	-																								
0,070	252	75							5,6	11	17	4,5	7	12	3,8	5	-																		
		125	8,4	11	16	5,8	5	-	4,4	3	-																								
0,080	288	75							6,4	15	21	5,1	10	16	4,3	7	12																		
		125	9,6	14	20	6,6	6	22	5,0	3	-	4,0	2	-																					
0,100	360	75										6,4	15	22	5,3	10	18																		
		125				8,2	10	17	6,3	5	11	5,0	3	-	4,2	2	-																		
0,125	450	75													6,7	16	23																		
		125				10	15	23	7,8	9	17	6,3	5	12	5,3	4	-	3,9	2	-															
		225							5,9	2	-																								
0,150	540	125							9,4	12	21	7,5	8	16	6,3	5	12	4,7	3	-	3,8	2	-												
		225							7,1	3	-	5,7	2	-																					
0,200	720	125										10	14	24	8,4	10	19	6,3	5	14	5	3	-												
		225							9,5	5	13	7,6	3	-	6,4	2	-																		
0,300	1080	125															9,5	12	24	7,6	8	19													
		225							14	12	24	11	8	19	9,5	5	15	7,1	3	-	5,7	2	-												
		325													8,0	2	-																		
0,400	1440	125																			10	14	27												
		225										15	14	26	13	9	23	9,6	5	16	7,6	3	11	6,4	2	-									
		325													11	4	14																		
0,500	1800	225													16	15	28	12	8	22	9,5	5	17	7,9	4	13									
		325													13	6	20	10	4	13	8,0	2	-												
0,600	2160	225															14	12	27	11	8	22	9,5	5	18										
		325													16	9	24	12	5	18	9,6	3	13	8,0	2	-									
0,700	2520	225															17	16	31	13	10	26	11	7	22										
		325													19	13	28	14	7	22	11	5	17	9,3	3	13									
0,800	2880	225																		15	13	30	13	9	26										
		325													21	16	32	16	9	25	13	6	21	11	4	17									
1,000	3600	225																						16	15	31									
		325																20	14	31	16	9	26	13	6	22									
m ³ /s	m ³ /h	H	T	Ps	Lp	T	Ps	Lp	T	Ps	Lp	T	Ps	Lp	T	Ps	Lp	T	Ps	Lp	T	Ps	Lp	T	Ps	Lp	T	Ps	Lp	T	Ps	Lp	T	Ps	Lp

General:

The throw is stated at a straight forced air outflow pattern, at a maximum wide-spread pattern, 0.65 x the stated value applies.

- Throw T in metres. The pressure drop applies when the volume damper is in full open position. static pressure drop Ps in Pa.
- The adopted room absorption is 10 dB. sound pressure level Lp in dB(A).

Interpolation of intermediate values is acceptable.

Remarks:

Recommended air pattern is 5° upwards up to 0.3 m below the ceiling. If the diffuser is mounted between 0.3 and 0.6 m below the ceiling, select the 15° side. This will not measurably influence the throw width. In case of an even lower mounting, the air flow will not stick to the ceiling during cooling and this may develop an unstable air pattern. Consult our technicians.