

WRHA

- ▶ Wall diffuser
- ▶ Return

Design:

Wall diffuser

frame: extruded aluminium
 core: steel
 finish: epoxy powder
 colour: white RAL 9010

Volume damper

frame and vanes: extruded aluminium
 finish: none

Available types:

W R H - - O

W wall diffuser
R return
H high induction appearance

- Frame

A 25 mm, removable core (standard)
B 6 mm, removable core
U none, core with U-profile

- Accessories

O none
V volume damper

O not applicable

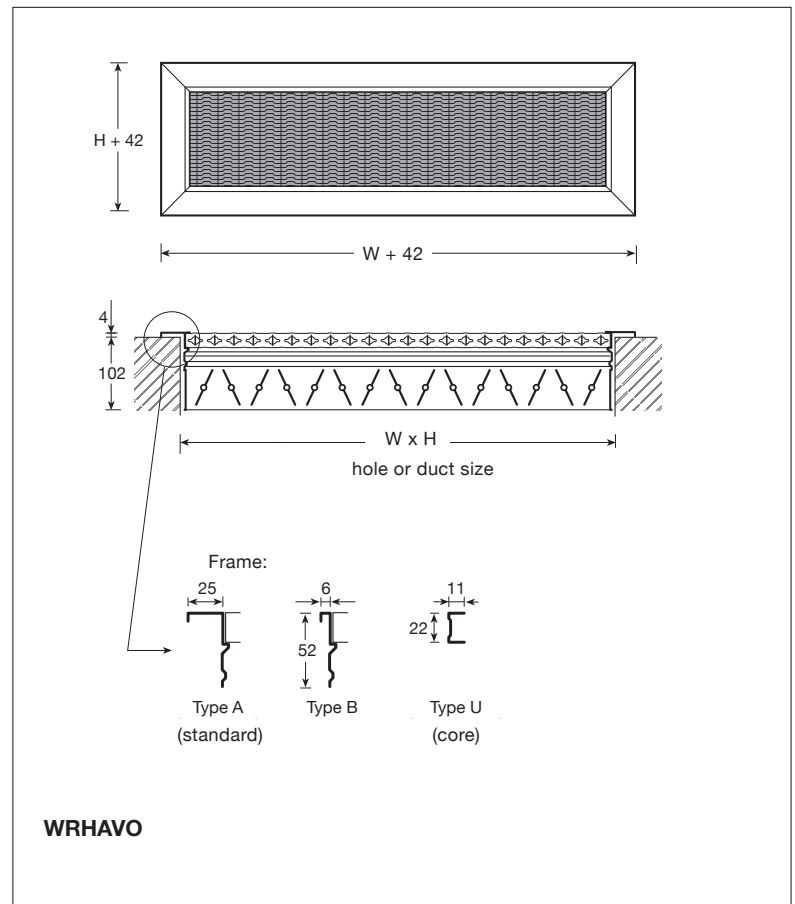
Application:

The wall diffuser type WRH is suitable for air return and its appearance is equal to supply diffuser type WTH. The diffuser is mechanically very strong.

Features:

Because of its high free area (85%), the diffuser is suitable for a high capacity at a low noise level.

Dimensions:



Remarks:

The stated dimensions WxH are sizes in mm (hole or duct size).
 The actual width is W-5 mm.
 The actual height is H-5 mm.

For the preferable dimensions see the performance data.
 Alternative sizes are available upon request.
 Maximum single core 1225 x 325 mm.

Please advise at time of order if face screws are required.

Performance data WRHA:

Air volume		H	W=225		325		425		525		625		825		1025		1225	
m ³ /s	m ³ /h		Ps	Lp	Ps	Lp	Ps	Lp	Ps	Lp	Ps	Lp	Ps	Lp	Ps	Lp	Ps	Lp
0.015	54	75	2	-														
0.020	72	75	4	-														
0.025	90	75	6	-	3	-												
0.030	108	75	9	13	4	-	2	-										
		125	2	-														
0.040	144	75	15	21	7	12	4	-	2	-								
		125	4	-														
0.050	180	75			10	18	6	11	4	-	3	-						
		125	6	10	2	-												
0.060	216	75			15	22	8	16	5	11	4	-						
		125	8	15	4	-	2	-										
0.070	252	75					11	20	7	15	5	11						
		125	11	19	5	11	3	-										
0.080	288	75					15	24	10	19	7	15						
		125	14	23	6	14	3	-	2	-								
0.100	360	75							15	25	10	21						
		125			10	20	5	14	3	-	2	-						
0.125	450	75									16	26						
		125			15	26	9	20	5	15	4	11	2	-				
		225					2	-										
0.150	540	125					12	24	8	19	5	15	3	-	2	-		
		225					3	-	2	-								
0.200	720	125							14	27	10	22	5	17	3	12		
		225					5	16	3	2	-							
0.300	1080	125											12	27	8	22		
		225					12	27	8	22	5	18	3	12	2	-		
		325									2	-						
0.400	1440	125													14	30		
		225							14	29	9	26	6	19	3	14	2	10
		325									4	17						
0.500	1800	225									15	31	8	25	5	20	4	16
		325									6	23	4	16	2	11		
0.600	2160	225											12	30	8	25	5	21
		325									9	27	5	21	3	16	2	11
0.700	2520	225											16	34	10	29	7	25
		325									13	31	7	25	5	20	3	16
0.800	2880	225													13	33	9	29
		325									16	35	9	28	6	24	4	20
1.000	3600	225															15	34
		325											14	34	9	29	6	25
m ³ /s	m ³ /h	H	Ps	Lp	Ps	Lp	Ps	Lp	Ps	Lp	Ps	Lp	Ps	Lp	Ps	Lp	Ps	Lp

General:

The pressure drop applies when the volume damper is in full open position.

- static pressure drop Ps in Pa.

The adopted room absorption is 10 dB.

- sound pressure level Lp in dB(A).

Interpolation of intermediate values is acceptable.