



PFG-MD

BS EN 13264:2001 (Heavy grade achieved)
Ventilation for buildings - Floor mounted air terminal devices

- > Floor Grille
- > Medium Duty
- > Tear-Drop Blades

DESCRIPTION

Heavy duty computer room floor grilles with a square edged frame and three large reinforcing mullions supporting the blade pack.

Aerodynamic tear-drop shaped blades ensure minimal noise generation and pressure drop, non-removable 6 mm blade tops on a 12.5 mm pitch help to prevent items dropping through the grille onto potentially sensitive cabling below.

CONSTRUCTION

Extruded aluminium frame, blades and mullions with wide frame flange. Non-removable core.

Finish:

Standard: Brushed aluminium.

Options:

- *Opposed blade dampers*
- *Nylon coating*
- *Tile depth*
- *Spacing pips*

DIMENSIONS (+ or - 0.5mm)

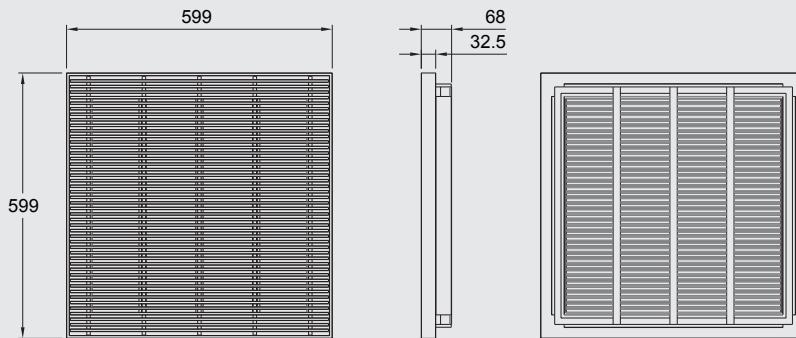
Width	Height
599 mm	599 mm

DESIGN FEATURES

Overall depth	Frame flange	Free area	Min. tile depth	Mass per unit
68 mm	6.5 mm	34%	32.5 mm	11.9 kg

13.2 kg including opposed blade damper

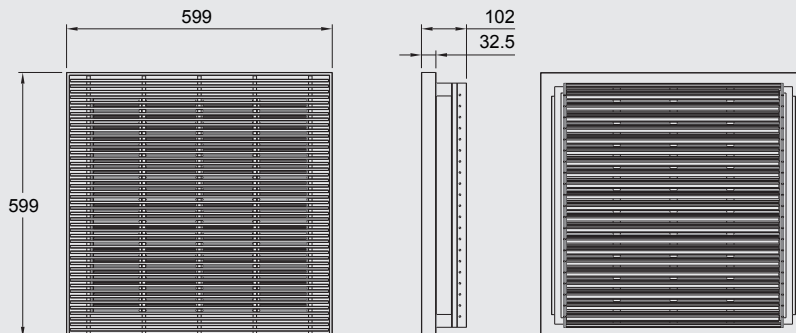
PFG-MD – Grille only



ACCESSORIES

Lifting tools – purpose designed to enable safe and secure lifting, fitting, and removal of Series PFG floor grilles.

PFG-MD – Grille complete with opposed blade damper



NOTES

All dimensions are given in mm.

HDFG – SELECTION DATA

SUPPLY SELECTION DATA		
Lower face to upper face application		
Average face velocity (m/s)	Pressure drop (pa)	Airflow (m ³ /s)
0.21	0.40	0.076
0.22	0.55	0.080
0.39	1.50	0.139
0.44	2.00	0.160
0.44	2.05	0.158
0.65	4.60	0.240
0.66	4.70	0.237
0.88	8.00	0.315
0.87	8.20	0.313
1.31	18.20	0.470
1.31	19.00	0.472
1.74	32.70	0.628
2.18	51.00	0.785
2.63	74.70	0.947
2.74	81.35	0.987

RETURN SELECTION DATA		
Upper face to lower face application		
Average face velocity (m/s)	Pressure drop (pa)	Airflow (m ³ /s)
0.21	0.40	0.076
0.22	0.50	0.079
0.38	1.60	0.138
0.44	1.90	0.157
0.44	2.00	0.159
0.66	4.30	0.237
0.87	7.65	0.315
1.31	17.10	0.471
1.74	30.90	0.626
2.18	49.00	0.785
2.62	70.60	0.943
2.74	77.50	0.985

OPTIONS

Opposed blade dampers

Mounted on the underside of the grille, OBDs allow airflow to be trimmed to suit the location.

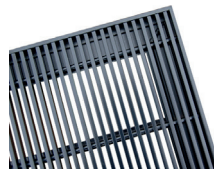
Adjustable through the grille face using a flat-head screwdriver. OBDs are supplied in mill aluminium finish, regardless of grille finish.



Nylon coating

Nylon coating is a specialist powder coating process that gives a tougher, thicker coating than regular polyester powder coating. It also helps to prevent the build up of static electricity.

For these reasons it is often used with computer room floor grilles, where durability and resistance to electrical charge build up are critical.



Tile depth

Please state the tile depth of your raised access flooring system when ordering either series of our floor grilles.

We fit additional spacers under each corner to raise the grille face to the required height.



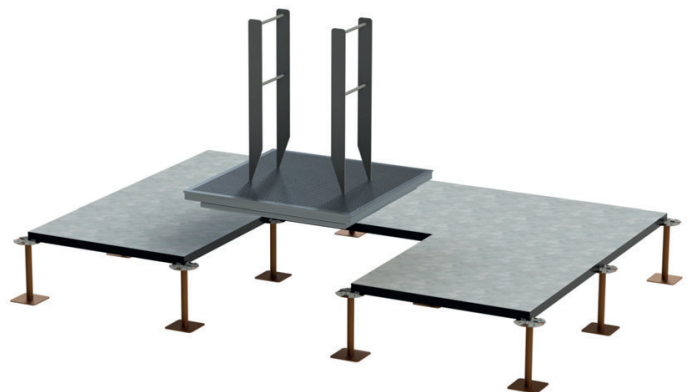
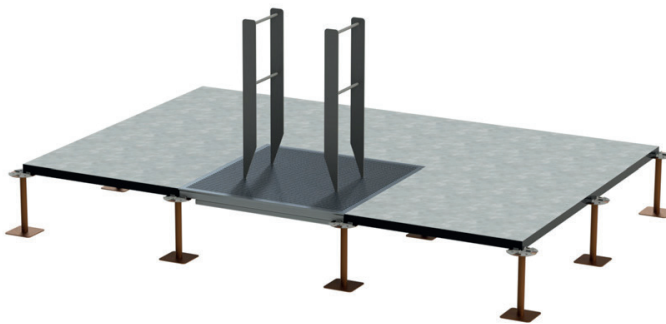
Spacing pips

Standard EDFG grilles are sized 599mm x 599mm, + or - 0.5mm.

These pips take the grille overall size to 600mm x 600mm (+ 0.0, - 0.2mm), and are formed on the underside of the grille only, so are not visible from the face.



LIFTING TOOLS



Purpose designed to enable safe and secure lifting, fitting, and removal of Series HDFG floor grilles. Laser cut steel lifting arms with hooked ends latch around grille mullions securely, while 10mm steel bars act as both handles and spacers ensuring the lifter remains rigid. Supplied in pairs so two people can lift each grille.