

RTWP / RTWM

- ▶ Swirl diffuser conic
- ▶ Supply, round, adjustable
- ▶ Comfort

Design:

Swirl diffuser
 round metal
 nozzle body: aluminium
 swirl blades: plastic
 finish: epoxy powder
 colour: white RAL 9010

Plenum box
 material: galvanised sheet
 steel
 interior lining: 12 mm
 finish: none

Available types:

R T W - - -

R round diffuser
T supply
W swirl type

- frame

P mounting rim for comfort applications
M tee bar mountable, square 595 mm

- accessories

H manually adjustable blades,
C fixing ring (RTWPCO only)

- designed with

O round top connection
U unlined plenum box (delivered separately)
R lined plenum box (delivered separately)

Application:

The round, conic Swirl diffuser type RTWP is suitable for the supply of cooled or heated air with a big temperature difference and is intended for "comfort" installations. The diffuser can be applied with and without ceiling influence. The housing consists of a round metal nozzle body with six Swirl blades that can be manually adjusted. The Swirl blades can be adjusted in height altogether. Any desired supply direction from horizontal to vertical can be set. The large penetration depth makes it possible to work with a lower air capacity.

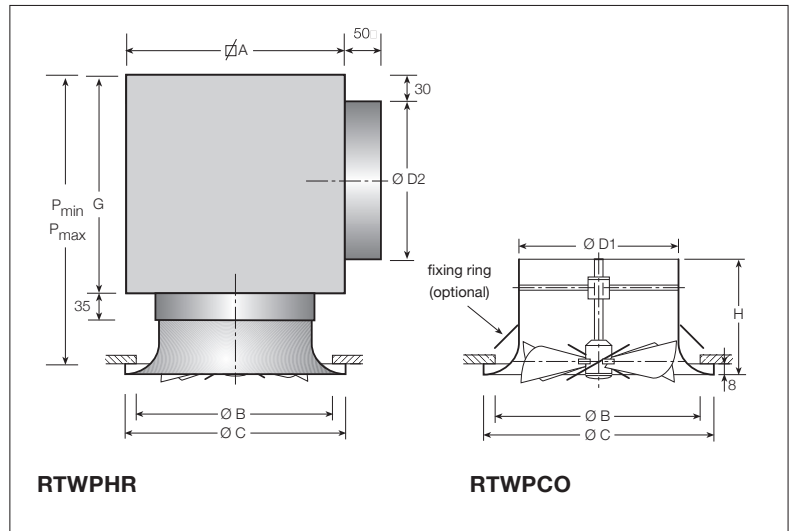
Features:

Max. exchange rate: up to 15 x
 Under temperature: up to 10 K
 Over temperature: up to 15 K

Dimensions:

Remark:

The stated dimensions are in mm.
 Connection "D" is actual O.D.



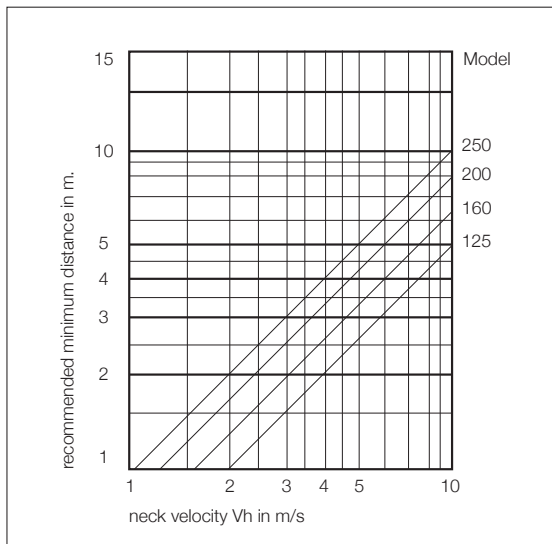
Dimensional data:

model	A	B	C	D1	D2	G	H	P _{min}	P _{max}
125	185	140	175	124	123	185	70	245	255
160	220	180	220	159	158	220	95	285	315
200	260	220	275	199	198	260	110	330	370
250	310	280	345	249	248	310	130	390	440

Performance data RTWP/RTWM:

air volume		model	Vh	Ps	Lp
m ³ /s	m ³ /h				
0.020	72	125	1.6	5	-
0.025	90	125	2.0	8	13
0.030	108	125	2.4	11	19
		160	1.5	4	11
0.040	144	160	2.0	7	19
		200	1.3	4	9
0.050	180	160	2.5	11	24
		200	1.6	6	15
		250	1.0	3	-
0.060	216	200	1.9	8	20
		250	1.2	4	-
0.070	252	200	2.2	11	24
		250	1.4	5	14
0.080	288	250	1.6	7	17
0.100	360	250	2.0	10	22
0.125	450	250	2.5	16	28

Minimum distance A:



Selection method:

The model size is determined on the basis of the table. Interpolation of intermediate values is acceptable. For the recommended mounting height (bottom side of diffuser towards the floor) see figure.

The recommended minimum distance between the swirl diffusers mutually is determined with the diagram. The distance up to a wall must be minimum half the mutual distance.

At an exchange rate of more than 15, consult our technicians.

General:

The pressure drop is stated without volume damper or plenum box.

- static pressure drop in Pa. The adopted room absorption is 10 dB. The sound pressure level is stated at a blade angle of 45 degrees.
- sound pressure in dB(A).
- neck velocity in m/s.

Remark:

For a full selection including blade angle settings see page 40 up to 53.

Mounting height M:

Model	Mounting height M														
125	2	3	4	5	6	7	8	9	10	15	20	25	30	35	2,2 to 3,0 m
160	2	3	4	5	6	7	8	9	10	15	20	25	30	35	2,5 3,5 m
200	2	3	4	5	6	7	8	9	10	15	20	25	30	35	2,7 4,0 m
250	2	3	4	5	6	7	8	9	10	15	20	25	30	35	3,1 4,8 m
	2	3	4	5	6	7	8	9	10	15	20	25	30	35	M in m