

# PUDM

- > Louvre Face Diffuser
- > Combined Supply/Return
- > T-Bar Mounting

## DESCRIPTION

Supply and extraction multi-directional diffuser with perforated plate. For modular false-ceiling installation for contemporary air supply and return.

## CONSTRUCTION

Supply part in aluminium and galvanized steel part of return.

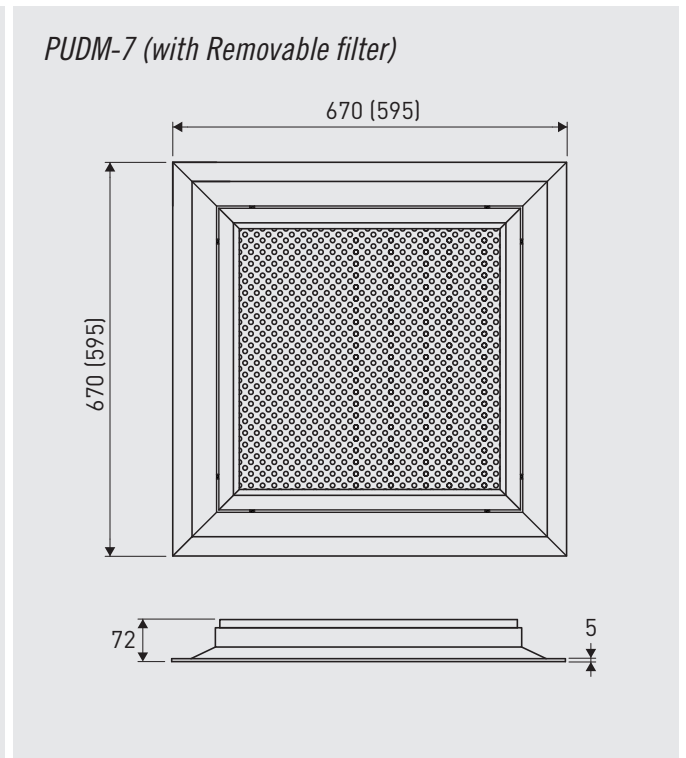
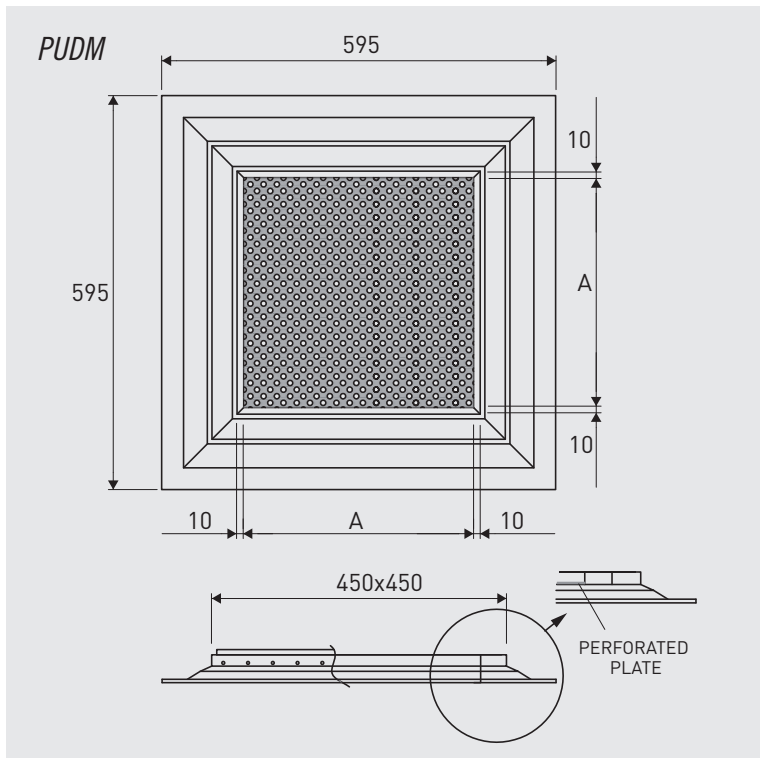
**Finish:**  
Painted RAL 9010

**Options:**

- Removable filter

## AVAILABLE TYPES

**PUDM:** Combined diffuser  
**PUDM-7:** Combined diffuser with removable filter



PUDM DIMENSIONS (mm)	
Size	A
600 x 600 1F	352
600 x 600 2F	276
600 x 600 3F	202

## REMARKS

All dimensions are given in mm.

Note: 1F, 2F, 3F 4F refer to the central panel sizes, with 1F having a single louvre slot.

# PUDM – PERFORMANCE DATA

## SELECTION DATA

Model	Size	Free Area	m <sup>3</sup> /s		dB(A)		m		Pa	
			min	max	min	max	min	max	min	max
PUDM 1F	600 x 600	0.0438	0.114	0.256	< 20	43	1.26	6.29	10	50
PUDM 2F	600 x 600	0.0542	0.150	0.333	< 20	41	1.22	6.1	10	50
PUDM 3F	600 x 600	0.0631	0.181	0.406	< 20	39	1.19	5.97	10	50
PUDM-7	600 x 600	0.0480	0.131	0.292	< 20	43	0.95	5.85	10	50
PUDM-7	675 x 675	0.0570	0.167	0.367	< 20	43	1.13	6.24	10	50

## KEY INFORMATION

Throw based on diffuser installed in a standard dropped ceiling.

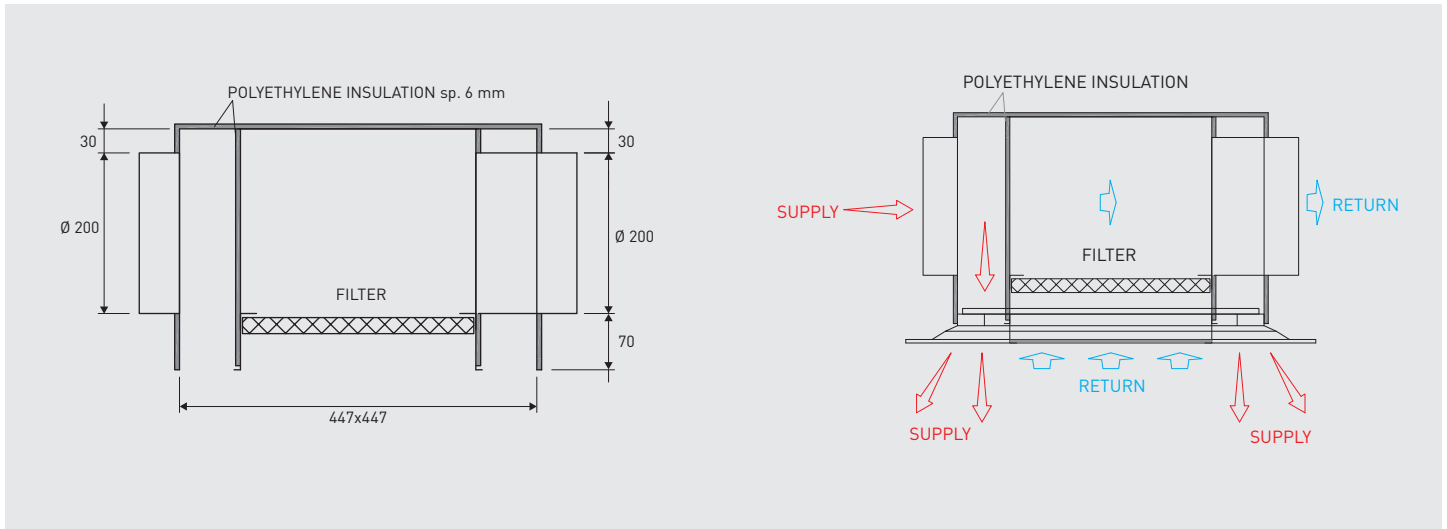
**m<sup>3</sup>/s** = Air Volume

**dB(A)** = Sound Power Level

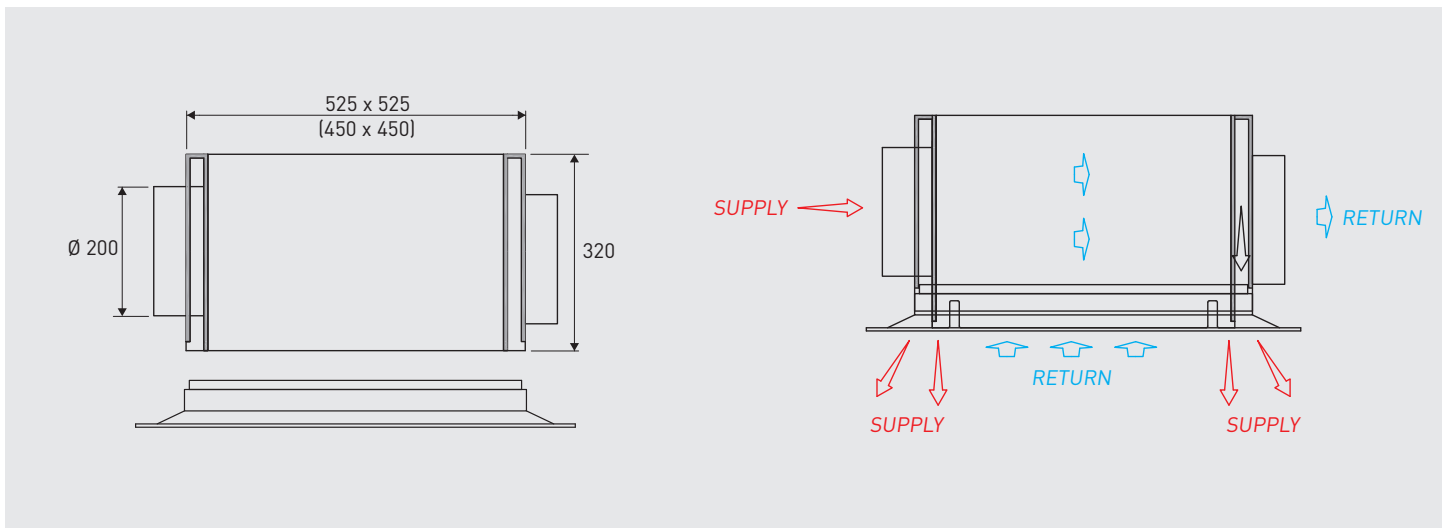
**m** = Velocity in metres

**Pa** = Static Pressure Drop

## PUDM PLENUM



## PUDM-7 PLENUM



## DFL-CO-7 REMOVABLE FILTER

