



PSDG

- > Single Deflection Grille
- > Adjustable Air Pattern
- > Vertical/Horizontal

DESCRIPTION

Single Deflection Grilles are recommended for applications requiring pattern adjustment in a single horizontal or vertical plane.

They are generally used in a high side wall application where vertical blades will control the spread and throw distance. Horizontal blades will control the rise and drop of the air pattern.

CONSTRUCTION

Extruded aluminium frame and blades.

Finish:

White polyester powder finish
RAL 9010 semi-gloss is standard.
Other finishes are available.

Options:

- *Aluminium integral damper*
- *Narrow frame (25 mm)*
- *Concealed mounting*

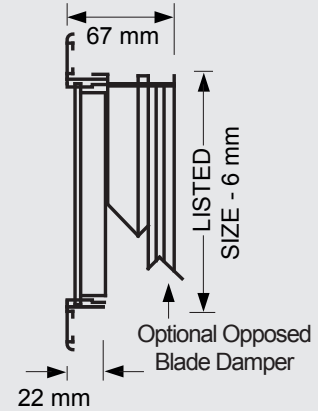
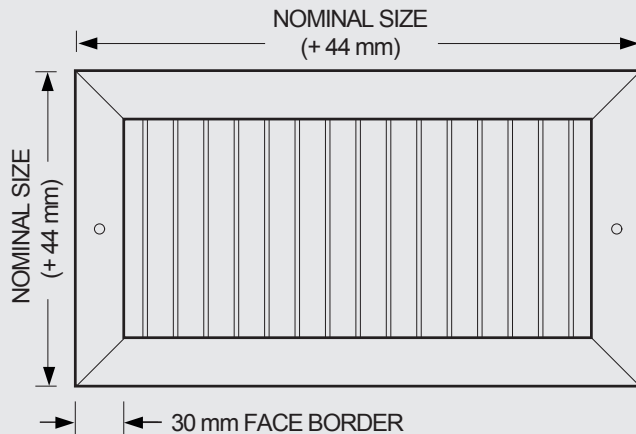
MODELS

- PSDG-V:** Vertical Blades
PSDG-H: Horizontal Blades

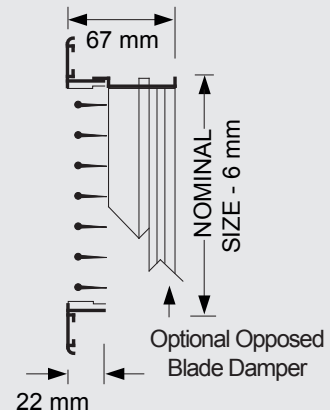
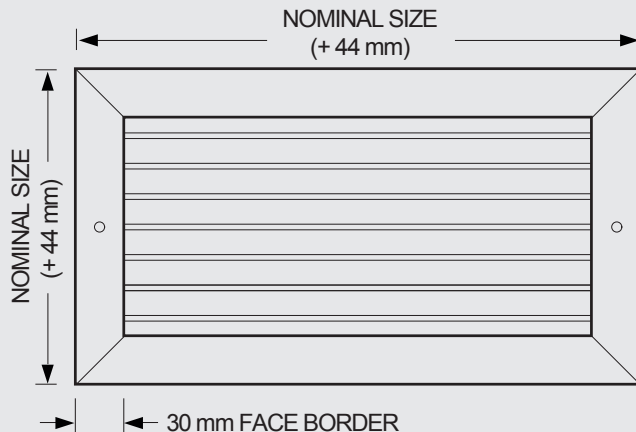
NOTES

Standard sizes are available from 100mm x 100mm to 1200mm x 1200mm.
(Other sizes are available on request).
Mullions are fitted on grille widths over 450mm.

PSDG-V – Vertical



PSDG-H – Horizontal



PSDG - SELECTION DATA

SELECTION DATA													
100 mm Height													
Air Volume (m³/s)		0.020	0.025	0.030	0.040	0.050	0.060	0.070	0.080	0.100	0.125	0.150	
Width	250	T	2.1	2.7	3.3	4.3	5.3						
		Pa	2	2	3	7	11						
		dB(A)	-	-	-	11	18						
	350	T		2.2	2.7	3.6	4.5	5.3	6.3	7.3			
		Pa		1	2	3	4	6	9	11			
		dB(A)		-	-	-	8	14	18	22			
	450	T				3.1	3.7	4.7	5.4	6.1	7.8		
		Pa				2	2	4	5	6	12		
		dB(A)				-	-	8	13	15	22		
	550	T				2.7	3.5	4.3	4.9	5.6	7	8.8	
		Pa				1	2	2	3	4	7	12	
		dB(A)				-	-	-	7	12	16	22	
	650	T					3.2	3.8	4.5	5.2	6.4	8	9.7
		Pa					1	2	2	3	5	7	10
		dB(A)					-	-	-	8	13	19	23

SELECTION DATA													
150 mm Height													
Air Volume (m³/s)		0.040	0.050	0.060	0.070	0.080	0.100	0.125	0.150	0.200	0.300	0.400	
Width	250	T	3.2	4	4.8	5.6	6.4	8.1					
		Pa	2	3	4	6	7	11					
		dB(A)	-	5	12	13	17	23					
	350	T		3.3	4	4.6	5.4	6.6	8.3	9.9			
		Pa		1	2	3	3	5	8	12			
		dB(A)		-	-	-	8	16	20	26			
	450	T			3.4	4.1	4.6	5.7	7.2	8.6	11.1		
		Pa			1	1	2	3	5	7	12		
		dB(A)			-	-	-	8	14	20	26		
	550	T					4.1	5.2	6.4	7.7	10.3		
		Pa					1	2	3	5	8		
		dB(A)					-	-	9	14	22		
	650	T						4.7	5.9	7.2	9.4	14.1	
		Pa						1	2	3	5	12	
		dB(A)						-	5	10	17	29	
	850	T							5.1	6.2	8.2	12.3	16.3
		Pa							1	2	3	7	12
		dB(A)							-	-	11	22	31
1050	T								5.5	7.3	11	14.6	
	Pa								1	2	5	8	
	dB(A)								-	8	17	27	

KEY INFORMATION

Throw based on diffuser installed in a standard dropped ceiling.

T = Throw in metres (m)

Pa = Static Pressure Drop

dB(A) = Sound Pressure Level

SELECTION DATA													
250 mm Height													
Air Volume (m³/s)		0.150	0.200	0.300	0.400	0.500	0.600	0.700	0.800	1.000			
Width	450	T	6.2	8.4	12.6								
		Pa	2	3	7								
		dB(A)	5	11	23								
	550	T		5.6	7.5	11.2	14.5						
		Pa		1	2	5	9						
		dB(A)		-	7	16	25						
	650	T			6.8	10.2	13.6	17	20.3				
		Pa			1	3	6	9	13				
		dB(A)			-	14	22	27	32				
	850	T				8.9	11.8	14.7	17.7	20.7			
		Pa				2	3	5	9	10			
		dB(A)				8	15	21	27	30			
	1050	T					7.9	10.6	13.2	15.9	18.5	21.2	
		Pa					1	2	3	6	7	9	
		dB(A)					3	12	16	21	25	32	
	1250	T							12.1	14.5	16.9	19.3	24.5
		Pa							2	3	5	7	9
		dB(A)							12	17	21	25	32

SELECTION DATA												
350 mm Height												
Air Volume (m³/s)		0.300	0.400	0.500	0.600	0.700	0.800	1.000				
Width	650	T	8.4	11.3	14	16.8	19.6	22.4				
		Pa	2	3	4	6	8	11				
		dB(A)	6	12	19	24	30	31				
	850	T			12.2	14.6	17	19.6	24.3			
		Pa			2	3	5	6	10			
		dB(A)			13	18	21	25	32			
	1050	T				10.9	13.1	15.3	17.5	21.8		
		Pa				2	2	3	4	7		
		dB(A)				8	13	18	20	26		
	1250	T					10	11.9	13.9	15.8	19.9	
		Pa					1	2	2	3	4	
		dB(A)					-	8	13	16	23	

SELECTION DATA												
450 mm Height												
Air Volume (m³/s)		0.500	0.600	0.700	0.800	1.000						
Width	650	T	12.2	14.4	17.1	19.5	24.4					
		Pa	2	4	5	6	10					
		dB(A)	13	18	24	25	32					
	850	T		10.6	12.7	14.8	16.9	21.2				
		Pa		1	2	3	4	6				
		dB(A)		7	11	16	19	25				
	1050	T			11.4	13.3	15.2	18.8				
		Pa			1	3	2	4				
		dB(A)			7	11	14	20				
	1250	T				12.2	13.8	17.3				
		Pa				1	2	2				
		dB(A)				7	10	14				