



LRVD

- ▶ Louvre-face diffuser
- ▶ Return

Design:

Louvre-face diffuser

flange and internal assembly: steel
 finish: epoxy powder
 colour: white RAL 9010

Plenum box

material: steel
 galvanised
 sendzimir
 lining: 12 mm
 finish: none

Damper

Circular spigot: material: steel
 galvanised
 sendzimir
 finish: none

Square: material: aluminium
 finish: none

Available types:

L R V D - -

- L** louvre-face ceiling diffuser
- R** return
- V** fixed louvres
- D** flange (30 mm)
- **accessories**
- O** none
- V** spigot damper (upto 313)
- S** neck damper on rear of grille
- **available as options**
- Z** square top connection
- A** round top connection
- U** fixed assembled, un-lined plenum box
- R** fixed assembled, lined plenum box
- L** lined top connection
- N** square top, non vision plate (no VCD)

Application:

The louvre-face diffuser type LRVD is suited for return air and its appearance is the same as the supply diffuser LTVD.

The diffuser can be mounted in the ceiling and can be fitted with a plenum box which is delivered ready assembled

Dimensional data:

model	B	C	D	A	P	T
250	250	290	123	156	265	95
325	325	369	198	233	340	95
400	400	443	248	309	390	100
475	475	520	278	385	420	100
550	550	595	313	461	455	130

For LRVDSA: T+50

Weights:

model	type				∅ vcd
	OA	OR	OZ	VZ	
250	1.2	1.8	0.7	1.0	0.1
325	1.6	2.9	0.9	1.4	0.3
400	2.2	4.2	1.1	1.9	0.4
475	2.8	5.5	1.3	2.5	0.5
550	3.7	7.1	1.5	3.1	0.6

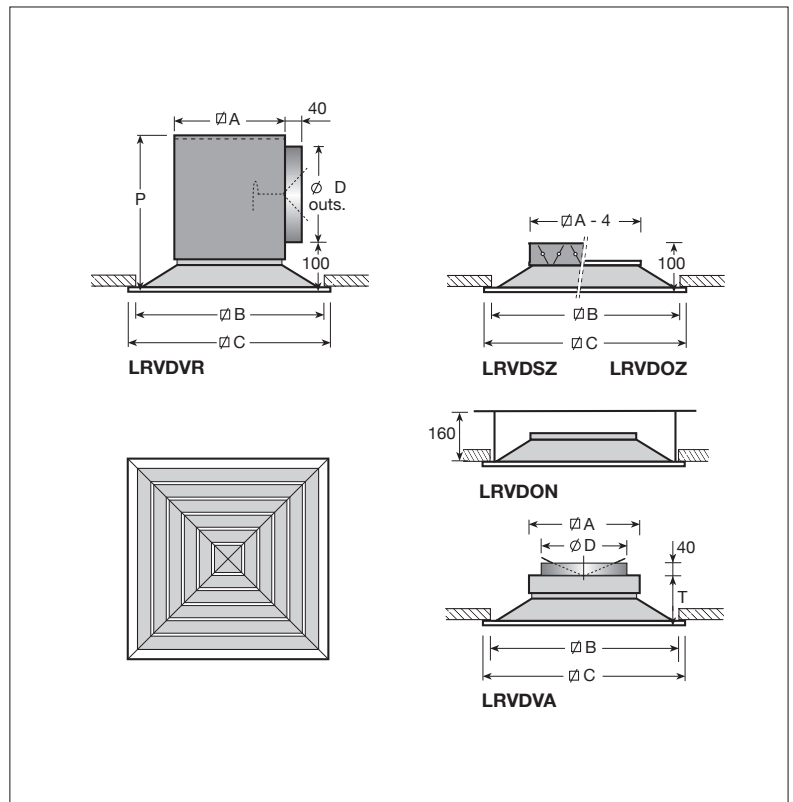
Remarks:

The dimensions are given in mm.
 Weights are given in kg.
 Connection "D" is actual O.D.
 Unless requested differently core will be 4-way.

Remarks:

blanking quadrants are available where 4 way appearance is required

Dimensions:



Performance data LRVD:

air volume		round and square connection		
m ³ /s	m ³ /h	model	Ps	Lp
0.015	54	250	1	-
0.020	72	250	3	-
0.025	90	250	4	-
		325	1	-
0.030	108	250	6	-
		325	1	-
0.040	144	250	10	-
		325	2	-
		400	1	-
0.050	180	250	14	12
		325	3	-
		400	2	-
0.060	216	250	22	18
		325	3	-
		400	2	-
		475	1	-
0.080	288	325	6	-
		400	3	-
		475	2	-
		550	2	-
0.100	360	325	9	-
		400	7	-
		475	5	-
		550	4	-
0.125	450	400	12	15
		475	8	10
		550	6	-
0.150	540	400	18	22
		475	12	15
		550	9	10
0.200	720	475	24	23
		550	16	17
0.250	900	550	22	22
0.300	1080	550	35	28
0.400	1440	550	63	35
0.500	1800	550	98	41

General:

The pressure drop applies to fully opened damper.

- static pressure drop Ps in Pa.

The assumed room absorption is 10 dB.

- sound pressure Lp in dB(A).

Intermediate values may be interpolated.

Lined Plenums:

model	middle frequency bands					
	125	250	500	1K	2K	4K
250	5	0	3	10	5	11
325	3	1	6	7	7	9
400	2	2	9	7	7	9
475	2	4	9	7	7	10
550	0	6	7	7	6	9