

# WUBK, WUAK

- ▶ Duct diffuser for spiral duct
- ▶ Return
- ▶ Single/double deflection

## Design:

### Wall diffuser

frame  
and vanes: steel  
finish: sendzimir

### Volume damper

frame  
and vanes: steel  
finish: black

## Available types:

**W U - K - O**

**W** duct diffuser  
**U** universal application

- **vanes**
- A** vertical vanes
- B** horizontal vanes

**K** frame 24 mm

### - accessories

- O** none
- V** volume damper

**O** not applicable

## Application:

Wall diffuser type WUAK, (WUBK) is suitable for return air.

The diffuser can be mounted into spiral ductwork. The horizontal and/or vertical vanes are manually adjustable.

Because of the vane spacing, the diffuser is not prone to contamination.

## Features:

Free area: 70 %

## Dimensional data:

Height	Width							
	215	315	415	515	615	815	1015	1215
65	•	•	•	•	•	•	•	•
115	•	•	•	•	•	•	•	•
215	•	•	•	•	•	•	•	•
315	•	•	•	•	•	•	•	•

Only the sizes in the table are available.

## Duct diameter:

Height	Duct diameter min - max
65	150 - 400
115	300 - 900
215	600 - 2400
315	900 - 2400

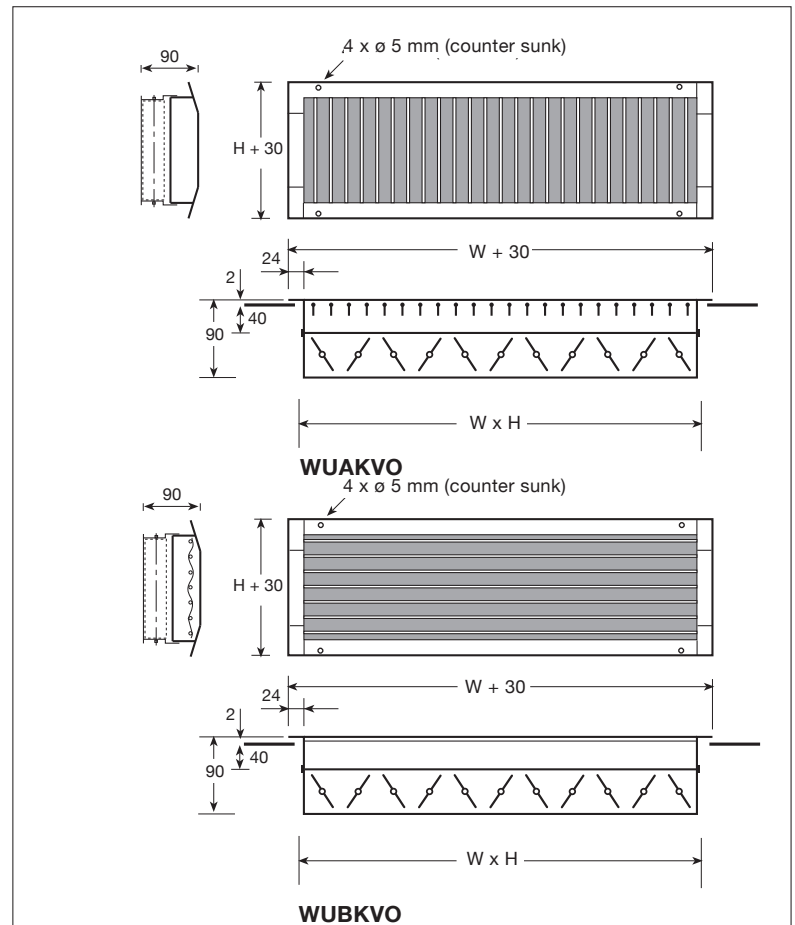
## Remarks:

The stated dimensions are sizes in mm (hole or duct size).

The actual width is W-5 mm.

The actual height is H-5 mm.

## Dimensions:



## Performance data WUBK, WUAK:

Air volume		H	W=215		315		415		515		615		815		1015		1215	
m <sup>3</sup> /s	m <sup>3</sup> /h		Ps	Lp	Ps	Lp	Ps	Lp	Ps	Lp	Ps	Lp	Ps	Lp	Ps	Lp	Ps	Lp
0,015	54	65	2	-														
0,020	72	65	3	-														
0,025	90	65	4	-	2	-												
0,030	108	65	6	-	3	-	2	-										
		115	2	-														
0,040	144	65	11	17	5	-	3	-	2	-								
		115	3	-	2	-												
0,050	180	65	17	23	8	14	5	-	3	-	2	-						
		115	5	10	2	-												
0,060	216	65	25	27	11	19	7	13	4	-	3	-						
		115	7	14	3	-	2	-										
0,070	252	65	34	31	16	23	6	12	4	-	4	-						
			10	18	5	10	3	-										
0,080	288	65	44	35	20	26	12	20	8	16	5	12						
		115	13	22	6	13	3	-	2	-								
0,100	360	65			32	32	18	26	12	21	8	18						
		115	21	28	9	19	5	13	4	-	2	-						
0,125	450	65					28	33	13	23	9	19						
		115	32	33	15	25	8	19	5	14	4	10	2	-				
		215					2	-										
0,150	540	115			21	30	12	24	8	19	6	15	3	-	2	-		
		215					3	10	2	-								
0,200	720	115			38	37	22	31	14	26	10	22	6	16	4	12		
		215					6	17	4	12	3	-	2	-				
0,300	1080	115							32	37	22	33	12	27	8	22		
		215					13	28	9	23	6	19	3	13	2	-		
		315									3	11	2	-				
0,400	1440	115							56	44	39	41	22	34	14	30		
		215					24	35	15	30	11	26	6	20	4	16	3	12
		315									5	18	3	12	2	-		
0,500	1800	215					37	41	24	36	17	32	10	26	6	21	4	17
		315									8	24	4	18	3	13	2	-
0,600	2160	215							35	41	24	37	14	31	9	26	6	22
		315									11	29	6	22	4	18	3	14
0,700	2520	215									33	41	19	35	12	30	8	26
		315									15	33	9	26	6	22	4	18
0,800	2880	215									43	45	24	38	16	34	11	30
		315									20	36	11	30	7	25	5	21
1,000	3600	215											38	44	24	39	17	35
		315									31	42	17	36	11	31	8	27
m <sup>3</sup> /s	m <sup>3</sup> /h	H	Ps	Lp	Ps	Lp	Ps	Lp	Ps	Lp	Ps	Lp	Ps	Lp	Ps	Lp	Ps	Lp

### General:

The pressure drop applies when the volume damper is in full open position.

- static pressure drop Ps in Pa.

The adopted room absorption is 10 dB.

- sound pressure level Lp in dB(A).

Interpolation of intermediate values is acceptable.