

Application:

The circular return valve type RRVO is suited for exhaust air in mechanical ventilation systems. These valves can regulate minor pressure differences well, keeping the sound level low. In addition, a model with fuse pattern is available.

Features:

Five model sizes are available.
Supplied inclusive of installation.
With safety fuse, models 100, 125, 160 and 200 only

Dimensional data:

Model	Ød	B	ØD	Hmax	Weight
80	79	86	115	70	0.230
100	99	106	137	70	0.260
125	124	130	161	85	0.350
150	149	156	202	85	0.510
160	159	166	212	85	0.560
200	199	206	248	110	0.750

Remarks:

The dimensions are given in mm.
The weight is given in kg.

RRVO

- ▶ Circular valve
- ▶ Return

Design:

Exhaust valve
material: steel
finish: electrostatic powder coating
colour: white, RAL 9010
seal connection: foam rubber

Mounting frame
material: steel
finish: galvanised

Available types:

RRVO - M

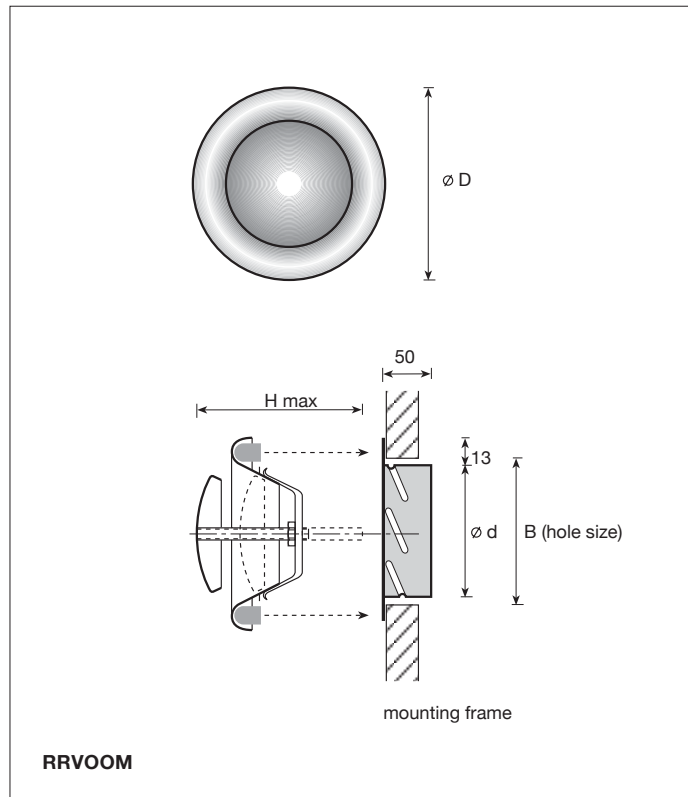
R circular diffuser
R return
V valve
O not applicable

- model

O standard
S equipped with safety fuse (100, 125, 160 and 200 only)

M mounting frame

Dimensions:



Performance data RRVO:

Model	Position in mm	Ps = 40		Ps = 60		Ps = 80		Ps = 100	
		m ³ /s	Lp	m ³ /s	Lp	m ³ /s	Lp	m ³ /s	Lp
80	-12	0,005	-	0,006	25	0,007	29	0,008	32
	-6	0,008	-	0,010	27	0,012	32	0,013	34
	0	0,013	-	0,018	28	0,019	33	0,021	35
	6	0,018	25	0,023	30	0,026	34	0,028	36
	12	0,024	26	0,029	32	0,033	35	0,037	37
100	-10	0,003	-	0,003	-	0,004	-	0,004	-
	-5	0,007	-	0,009	-	0,010	-	0,012	-
	0	0,012	-	0,015	-	0,017	25	0,019	28
	5	0,017	-	0,021	-	0,025	27	0,027	31
	10	0,023	-	0,028	25	0,033	29	0,037	33
125	-12	0,011	-	0,013	-	0,015	-	0,017	26
	-6	0,018	-	0,022	-	0,026	26	0,028	29
	0	0,027	-	0,033	25	0,038	29	0,042	33
	6	0,037	-	0,045	27	0,051	32	0,058	34
	9	0,042	-	0,052	28	0,060	33	0,068	36
150	-10	0,019	-	0,023	-	0,026	27	0,030	30
	-5	0,026	-	0,032	25	0,037	29	0,042	32
	0	0,034	-	0,042	27	0,048	31	0,055	34
	5	0,043	-	0,052	28	0,060	32	0,068	35
	10	0,052	-	0,068	29	0,078	34	0,088	37
160	-18	0,011	-	0,014	-	0,026	27	0,024	30
	-10	0,024	-	0,029	25	0,034	28	0,037	32
	-5	0,031	-	0,038	26	0,045	29	0,050	33
	0	0,041	-	0,050	27	0,059	31	0,065	34
	5	0,050	-	0,061	29	0,072	33	0,080	36
200	-20	0,019	-	0,022	-	0,026	25	0,029	28
	-10	0,036	-	0,045	-	0,051	27	0,058	31
	0	0,057	-	0,070	25	0,080	29	0,090	33
	10	0,078	-	0,095	27	0,110	31	0,125	34
	20	0,110	-	0,140	29	0,150	34	0,175	37

General

The assumed room absorption is 4 dB.
 Static pressure drop Ps in Pa.
 Sound pressure Lp in dB(A).

The zero position of the valve is the position where the face plate of the cone is in a continuous line with the outside ring.
 The desired position can be adjusted by turning the cone.

