

PFG-HD

BS EN 13264:2001 (Extra heavy grade achieved)
Ventilation for buildings - Floor mounted air terminal devices

- > Floor Grille
- > Heavy Duty
- > 30 mm Tile Depth

DESCRIPTIONS

The exceptionally slim, aesthetically pleasing PFG-HD floor grille is designed to suit the majority of raised access floor systems. The outer frame has a slanted edge allowing for minor misalignment before installation.

Non-removable 6 mm blade tops on a 12.5 mm pitch help to prevent items dropping through the grille onto potentially sensitive cabling below.

CONSTRUCTION

Extruded aluminium frame, blades and mullions with wide frame flange. Non-removable core.

Finish:

Standard: Brushed aluminium.

Options:

- *Opposed blade dampers*
- *Nylon coating*
- *Tile depth*
- *Spacing pips*

DIMENSIONS (+ or - 0.5mm)

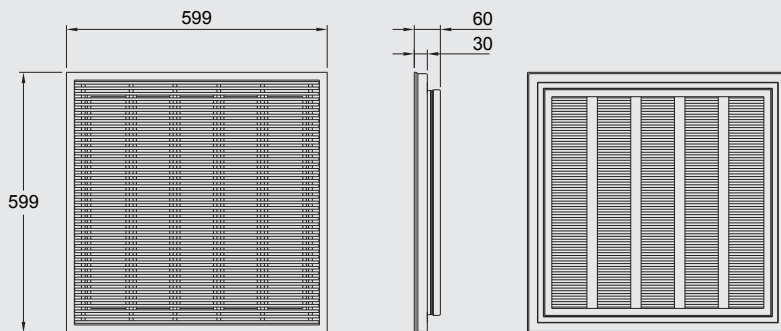
Width	Height
599 mm	599 mm

DESIGN FEATURES

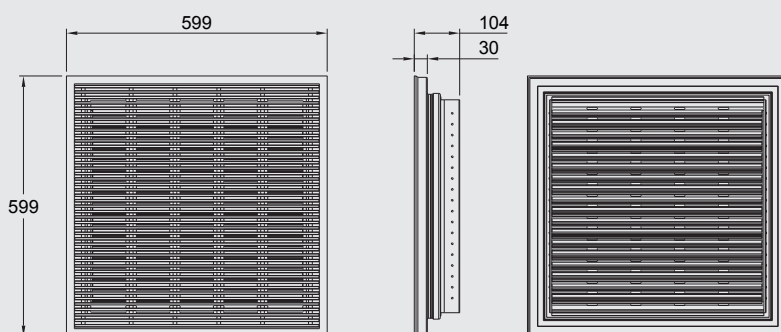
Overall depth	Frame flange	Free area	Min. tile depth	Mass per unit
60 mm	18 mm	39%	30 mm	11.2 kg

12.6 kg including opposed blade damper

PFG-HD – Grille only



PFG-HD – Grille complete with opposed blade damper



ACCESSORIES

Lifting tools – purpose designed to enable safe and secure lifting, fitting, and removal of Series PFG floor grilles.

NOTES

All dimensions are given in mm.

EDFG – SELECTION DATA

SUPPLY SELECTION DATA

Lower face to upper face application

Average face velocity (m/s)	Pressure drop (pa)	Airflow (m³/s)
0.21	0.40	0.076
0.22	0.55	0.080
0.39	1.50	0.139
0.44	2.00	0.160
0.44	2.05	0.158
0.65	4.60	0.240
0.66	4.70	0.237
0.88	8.00	0.315
0.87	8.20	0.313
1.31	18.20	0.470
1.31	19.00	0.472
1.74	32.70	0.628
2.18	51.00	0.785
2.63	74.70	0.947
2.74	81.35	0.987

RETURN SELECTION DATA

Upper face to lower face application

Average face velocity (m/s)	Pressure drop (pa)	Airflow (m³/s)
0.21	0.40	0.076
0.22	0.50	0.079
0.38	1.60	0.138
0.44	1.90	0.157
0.44	2.00	0.159
0.66	4.30	0.237
0.87	7.65	0.315
1.31	17.10	0.471
1.74	30.90	0.626
2.18	49.00	0.785
2.62	70.60	0.943
2.74	77.50	0.985

OPTIONS

Opposed blade dampers

Mounted on the underside of the grille, OBDs allow airflow to be trimmed to suit the location.

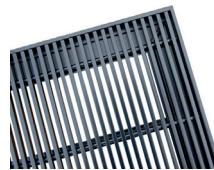
Adjustable through the grille face using a flat-head screwdriver. OBDs are supplied in mill aluminium finish, regardless of grille finish.



Nylon coating

Nylon coating is a specialist powder coating process that gives a tougher, thicker coating than regular polyester powder coating. It also helps to prevent the build up of static electricity.

For these reasons it is often used with computer room floor grilles, where durability and resistance to electrical charge build up are critical.



Tile depth

Please state the tile depth of your raised access flooring system when ordering either series of our floor grilles.

We fit additional spacers under each corner to raise the grille face to the required height.



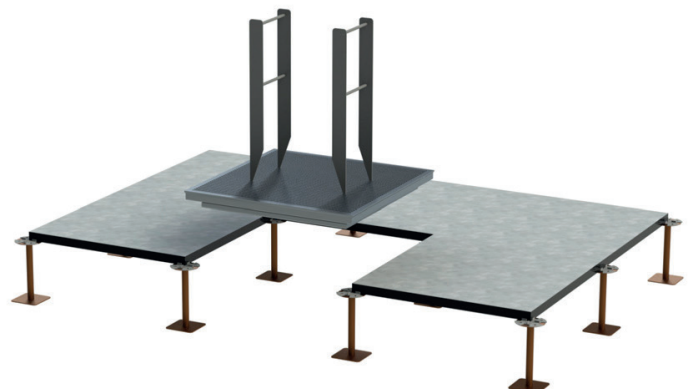
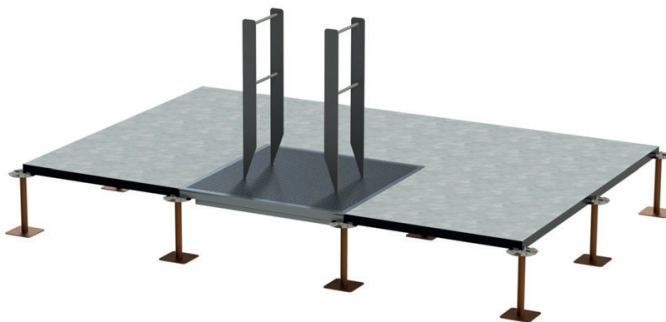
Spacing pips

Standard EDFG grilles are sized 599mm x 599mm, + or - 0.5mm.

These pips take the grille overall size to 600mm x 600mm (+ 0.0, - 0.2mm), and are formed on the underside of the grille only, so are not visible from the face.



LIFTING TOOLS



Purpose designed to enable safe and secure lifting, fitting, and removal of Series HDFG floor grilles. Laser cut steel lifting arms with hooked ends latch around grille mullions securely, while 10mm steel bars act as both handles and spacers ensuring the lifter remains rigid. Supplied in pairs so two people can lift each grille.