



PFB45

- > Fixed Blade 45° Grille
- > Streamlined Blade Design
- > Horizontal or Vertical

DESCRIPTION

PFB45 return Grilles have fixed horizontal blades (parallel to width) or fixed vertical blades (parallel to height). They are spaced on 19mm centres with 45° or 0° straight face deflection. Deflected blade grilles installed in a low or high side wall location are vision-proof with the grille deflection facing away from the line of sight.

CONSTRUCTION

Extruded aluminium frames with reinforced mitred corners.

Finish:

White polyester powder finish
RAL 9010 semi-gloss is standard.
Other finishes are available.

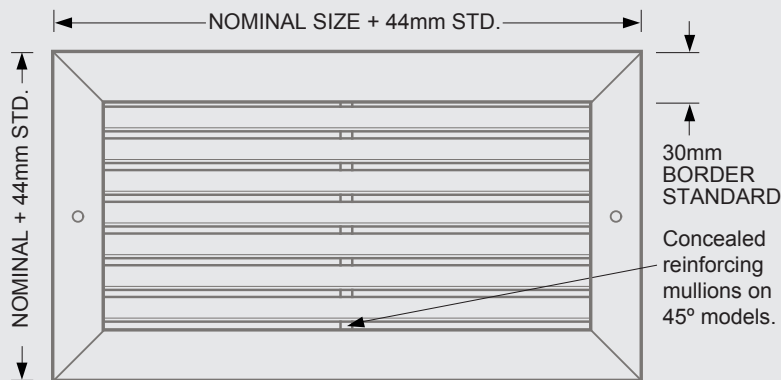
Options:

- *Integral damper (opposed blade)*
- *Narrow frame with 25 mm face border*
- *Foam Gasket*

AVAILABLE TYPES

- PFB45-H:** 45° Horizontal
PFB45-V: 45° Vertical
PFB0-H: 0° Horizontal
PFB0-V: 0° Vertical

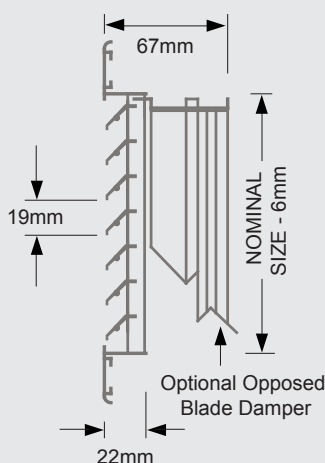
PFB45 – horizontal 45°



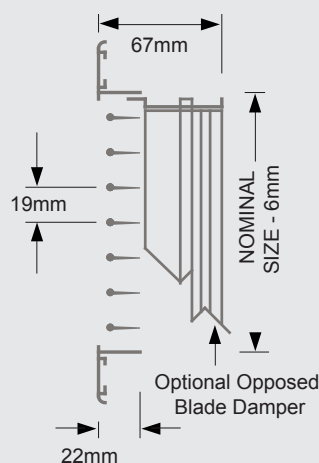
NOTES

All dimensions are given in mm. Standard sizes are available from 100 mm x 100 mm to 1200 mm x 1200 mm in single section construction. 50mm increments only on the height.
Other sizes, including multiple section assemblies, are available on request but are subject to manufacturing limitations.

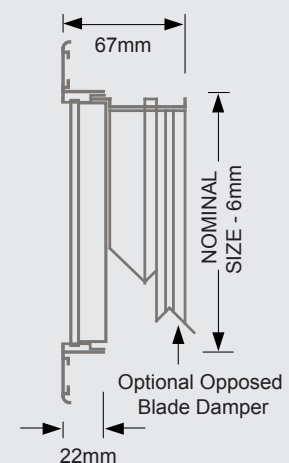
PFB45 – horizontal 45°



PFB0 – horizontal 0°



PFB0 – vertical 0°



PFB45 – SELECTION DATA

SELECTION DATA																	
250 Width																	
Air Volume m ³ /s		0.015	0.020	0.025	0.030	0.040	0.050	0.060	0.080	0.100	0.125	0.150	0.200	0.300	0.400		
Height	100	Pa	14	25	40	55											
		dB(A)	22	31	37	42											
	150	Pa		4	6	9	16	24	37								
		dB(A)		10	16	20	28	34	40								
	250	Pa					5	8	13	20	31	44					
		dB(A)					17	22	29	34	41	44					
	350	Pa								8	15	18	35				
		dB(A)								25	31	33	43				
	450	Pa									7	12	18				
		dB(A)									25	29	37				
	550	Pa										6	11	26			
		dB(A)										24	32	42			
	650	Pa													32		
		dB(A)													45		

SELECTION DATA																	
350 Width																	
Air Volume m ³ /s		0.015	0.020	0.025	0.030	0.040	0.050	0.060	0.080	0.100	0.125	0.150	0.200	0.300	0.400	0.500	0.600
Height	100	Pa	6	12	18	27											
		dB(A)	14	22	28	30											
	150	Pa		2	3	4	43	11	16	28							
		dB(A)		-	7	12	40	25	30	40							
	250	Pa							3	6	10	14	20	35			
		dB(A)							13	20	26	33	37	44			
	350	Pa								4	6	8	16				
		dB(A)								17	22	27	35				
	450	Pa									3	5	8	18			
		dB(A)									16	21	28	39			
	550	Pa										3	5	10	20		
		dB(A)										15	23	35	42		
	650	Pa													14	23	31
		dB(A)													37	43	49

450 Width																	
Air Volume m ³ /s		0.015	0.020	0.025	0.030	0.040	0.050	0.060	0.080	0.100	0.125	0.150	0.200	0.300	0.400	0.500	0.600
Height	100	Pa	4	6	12	14	25										
		dB(A)	-	16	21	26	36										
	150	Pa			2	4	6	9	15								
		dB(A)			-	13	19	22	31								
	250	Pa							3	5	9	11	20				
		dB(A)							14	20	26	30	41				
	350	Pa								3	5	8	18				
		dB(A)								16	21	27	39				
	450	Pa									3	4	10	20			
		dB(A)									14	22	31	40			
	550	Pa										3	6	11	20	25	
		dB(A)										17	27	35	41	46	
	650	Pa												8	12	17	
		dB(A)												31	37	40	

550 Width																		
Air Volume m ³ /s		0.020	0.025	0.030	0.040	0.050	0.060	0.080	0.100	0.125	0.150	0.200	0.300	0.400	0.500	0.600	0.800	1.000
Height	100	Pa	4	6	10	16												
		dB(A)	11	17	21	28												
	150	Pa				4	7	10										
		dB(A)				14	19	26										
	250	Pa							3	5	8	13						
		dB(A)							15	21	26	33						
	350	Pa								2	3	5	13	21				
		dB(A)								11	16	24	34	42				
	450	Pa									3	6	12	18				
		dB(A)									17	28	35	41				
	550	Pa										2	4	8	11	16		
		dB(A)										12	22	30	35	41		
	650	Pa												5	8	14	20	31
		dB(A)												26	32	33	44	53

KEY INFORMATION

Pa = Static Pressure Drop
dB(A) = Sound Pressure Level

More sizes over the page.

PFB45 – SELECTION DATA

SELECTION DATA																			
650 Width																			
Air Volume m ³ /s		0.020	0.025	0.030	0.040	0.050	0.060	0.080	0.100	0.125	0.150	0.200	0.300	0.400	0.500	0.600	0.800	1.000	
Height	100	Pa	3	4	6	11													
		dB(A)	-	13	18	25													
	150	Pa					3	5	7										
		dB(A)					10	15	23										
	250	Pa								2	3	6	9	20					
		dB(A)								11	17	22	29	40					
	350	Pa										2	4	8	15				
		dB(A)										12	20	32	38				
	450	Pa											2	4	8	12	18		
		dB(A)											13	24	31	37	42		
	550	Pa												3	6	8	12	20	
		dB(A)												19	26	32	37	44	
650	Pa													3	6	9	14	20	
	dB(A)													22	28	32	40	47	

SELECTION DATA														
850 Width														
Air Volume m ³ /s		0.030	0.040	0.080	0.150	0.200	0.300	0.400	0.500	0.600	0.800	1.000		
Height	100	Pa	4	6										
		dB(A)	11	19										
	150	Pa			5									
		dB(A)			16									
	250	Pa				3	5	11						
		dB(A)				15	23	33						
	350	Pa					2	5	8					
		dB(A)					13	24	31					
	450	Pa						3	4	7	10			
		dB(A)						16	25	33	35			
	550	Pa							2	3	4	6	11	18
		dB(A)							12	20	26	30	37	44
650	Pa								2	3	4	9	12	
	dB(A)								16	21	26	33	38	

1050 Width													
Air Volume m ³ /s		0.040	0.080	0.150	0.200	0.300	0.400	0.500	0.600	0.800	1.000		
Height	100	Pa	4										
		dB(A)	15										
	150	Pa		2									
		dB(A)		10									
	250	Pa			2	3	7						
		dB(A)			10	18	32						
	350	Pa					3	5					
		dB(A)					19	25					
	450	Pa						2	3	4	6		
		dB(A)						12	20	26	30		
	550	Pa							2	3	4	7	11
		dB(A)							15	20	25	33	41
650	Pa								2	3	6	8	
	dB(A)								17	21	32	36	

1250 Width									
Air Volume m ³ /s		0.040	0.300	0.400	0.500	0.600	0.800	1.000	
Height	100	Pa	3						
		dB(A)	11						
	150	Pa							
		dB(A)							
	250	Pa		5					
		dB(A)		22					
	350	Pa		2	4				
		dB(A)		15	23				
	450	Pa			2	3	4		
		dB(A)			16	20	27		
	550	Pa				2	3	6	8
		dB(A)				17	22	29	35
650	Pa					2	4	5	
	dB(A)					17	25	33	

KEY INFORMATION

Pa = Static Pressure Drop
dB(A) = Sound Pressure Level