



# PFBS

- > Fixed Blade Swirl Diffuser
- > Fanned Pattern
- > Fixed Blade

## DESCRIPTION

The PFBS provides a horizontal air pattern, the swirling supply air rapidly induces room air, decreasing velocity and temperature difference.

## CONSTRUCTION

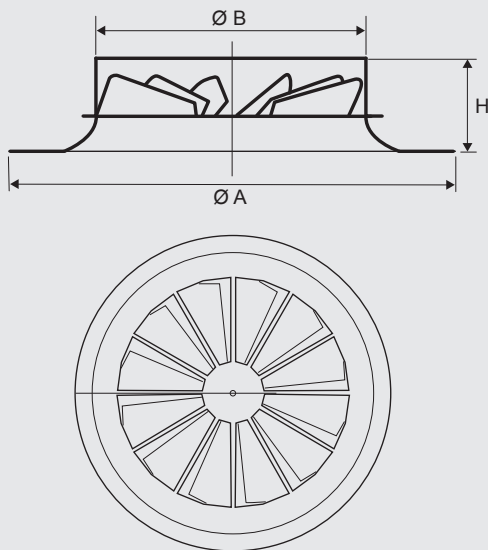
Steel.  
**Finish:** RAL 9010 white painted.  
**Options:**

- Galvanised steel connecting plenum with insulation and damper.

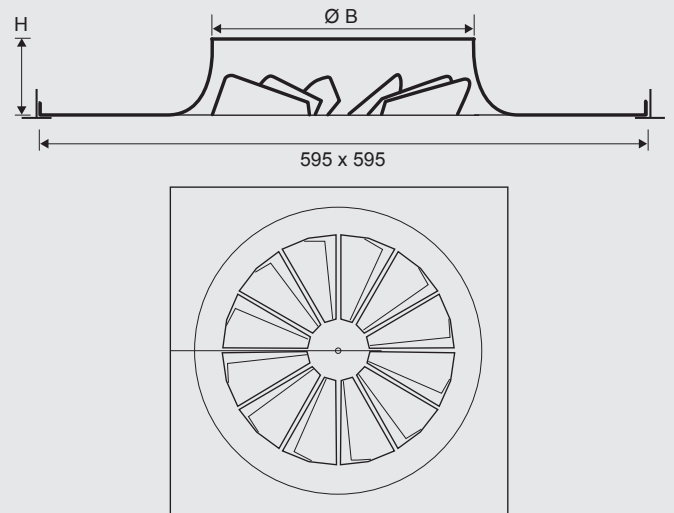
## MODELS

**PFBS:** Helical fan (circular)  
**PMFBS:** Helical fan (square)  
 595 x 595

PFBS – Fixed Blade Swirl Diffuser



PMFBS – Modular Fixed Blade Swirl Diffuser



## DIMENSIONS (mm)

Ø mm	Ø A	Ø B	H
100	152	98	66
125	201	123	66
160	252	158	66
200	302	198	66
250	352	248	66
315	452	313	90
400	550	398	120

## NOTES

All dimensions are given in mm.

# PFBS – SELECTION DATA

SUPPLY SELECTION DATA																						
Air Volume (m <sup>3</sup> /s)		0.015	0.020	0.025	0.030	0.040	0.050	0.060	0.080	0.100	0.125	0.150	0.200	0.250	0.300	0.350	0.400	0.450	0.500			
Size	125	T	<b>0.7</b>	<b>1.0</b>	<b>1.1</b>	<b>1.4</b>	<b>1.9</b>	<b>2.4</b>														
		Pa	11	19	30	43	70	115														
		dB(A)	-	15	22	27	35	43														
	160	T		<b>0.7</b>	<b>0.9</b>	<b>1.1</b>	<b>1.4</b>	<b>1.9</b>	<b>2.2</b>	<b>2.8</b>												
		Pa		5	8	12	22	33	45	79												
		dB(A)		-	-	11	20	27	32	41												
	200	T				<b>0.8</b>	<b>1.1</b>	<b>1.4</b>	<b>1.7</b>	<b>2.2</b>	<b>2.8</b>	<b>3.4</b>										
		Pa				3	6	9	13	24	36	59										
		dB(A)				-	-	16	20	30	37	43										
	250	T					<b>1.0</b>	<b>1.3</b>	<b>1.8</b>	<b>2.2</b>	<b>2.8</b>	<b>3.4</b>	<b>4.3</b>									
		Pa					3	5	10	15	24	33	60									
		dB(A)					-	-	17	23	31	36	45									
	315	T							<b>1.4</b>	<b>1.7</b>	<b>2.1</b>	<b>2.6</b>	<b>3.5</b>	<b>4.1</b>	<b>5.1</b>							
		Pa							4	6	8	13	23	36	53							
		dB(A)							-	11	17	23	32	38	44							
	400	T											<b>1.4</b>	<b>1.7</b>	<b>2.0</b>	<b>2.4</b>	<b>2.7</b>	<b>3.0</b>	<b>3.4</b>			
		Pa											10	16	23	30	36	43	50			
		dB(A)											22	24	27	30	32	35	39			

## KEY INFORMATION

Throw based on diffuser installed in a standard suspended ceiling.

T = Throw in metres (m)

Pa = Static Pressure Drop

dB(A) = Sound Pressure Level