



# AGCYR

- ▶ Rectangular attenuator
- ▶ Absorption/resonance splitter
- ▶ Suits VVR range

## Design:

housing and flanges:	steel, galvanised
splitters:	steel, galvanised
filling:	mineral wool, with steel and glass tissue facing

## Available types:

- A G C Y R -**
- A** accessories
  - G** attenuator
  - C** splitter
  - Y** splitter width 100 mm.
  - R** rectangular
- number of splitters
- 1** 1 splitter
  - 2** 2 splitters
  - 3** 3 splitters
  - 4** 4 splitters
  - 5** 5 splitters
  - 6** 6 splitters

## Application:

The rectangular attenuator type AGCYR can be incorporated within a ductwork system and/or used as a secondary attenuator on the VVR range of products.

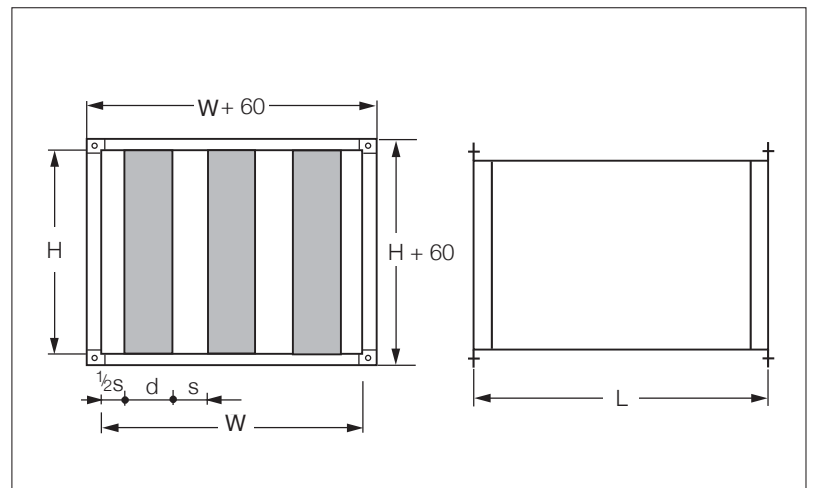
## Features:

Insertion loss, discharge sound and pressure loss measured according DIN 45646 (ISO 7235).  
 Incombustible according DIN 4102.  
 Maximum velocity in between splitters: 20 m/s.  
 Maximum temperature: 100°C.

## Remarks:

The galvanised steel casing is provided with additional reinforcing. Slide on 33 mm flanges (V10) are fitted at each end giving four corner fixing holes.  
 For Critical applications please refer to an acoustic engineer.

## Dimensions



## Selection data AGRCY:-

Attenuator W x H x L	350 x 175 x 1000	420 x 210 x 1000	500 x 250 1000	600 x 300 x 1000	
Number of splitters	2	2	2	3	
For VVR model	125	160	200	250	
Splitter width d (mm)	100	100	100	100	
Airway width s (mm)	75	110	150	100	
Max. volume flow rate (m3/s)	0.110	0.198	0.290	0.399	
Pressure drop (Pa)	9	7	5	9	
Airway velocity (m/s)	4.2	4.3	3.9	4.4	
Face velocity (m/s)	1.8	2.2	2.3	2.2	
Self generated sound (dB(A))	<20	<20	<20	<20	
Insertion loss per frequency band	63	2	1	1	2
	125	4	3	3	4
	250	15	11	9	12
	500	26	20	15	21
	1000	28	19	14	21
	2000	23	14	11	16
	4000	16	12	9	12
8000	13	10	7	11	