



WGZD / WGZC

- ▶ Wall/door
- ▶ Sound attenuating
- ▶ Transfer

Design:

Door/wall diffuser
 frame: aluminium
 vanes: steel
 finish: epoxy
 colour: white RAL 9010

Available types:

W G Z - - O

W wall diffuser
G sound attenuating
Z non-vision

- frame, fixed 35 mm
- D** double-sided
- C** one-sided

- double-sided	single-sided
thickness	depth
D = 40	D = 52,5
C = 70	C = 82,5
H = 90	H = 102,5
E = 110	E = 122,5

O not applicable

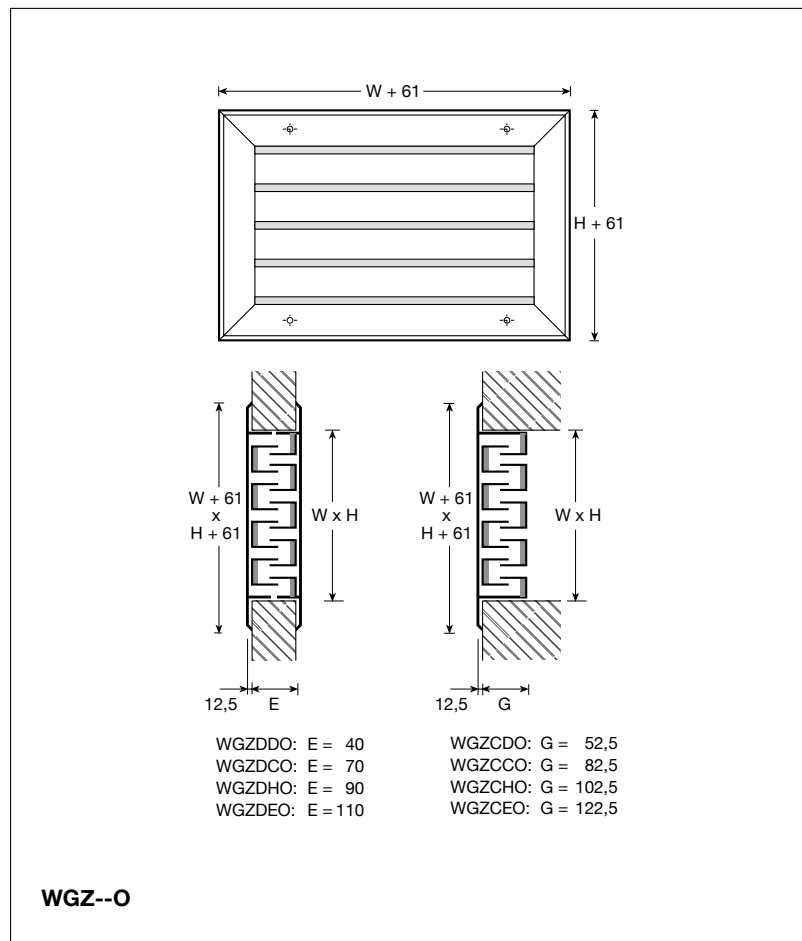
Application:

The sound attenuating door/wall diffuser type WGZD (WGZC) is suitable for transfer of air. The diffuser can be mounted to the door or wall. The diffusers reduce the transfer of noise between linked rooms.

Features:

Sound attenuating: see table
 Free area: 20-25%
 (dependent on the measurement of the height)

Dimensions:



Remarks:

The stated dimensions sizes in mm (hole or duct size).
 The actual width is $W - 5$ mm.
 The actual height is $H - 5$ mm.

For the preferable dimensions see the performance data.
 Alternative sizes are available upon request.

Performance data WGZD en WGZC:

Pressure drop sound attenuating transfer diffuser WGZDDO and WGZCDO in Pa

Air volume		Free area in cm ²																			
m ³ /s	m ³ /h	40	50	60	80	100	125	150	200	250	300	400	500	600	800	1000	1250	1500	2000	2500	3000
0,010	36	6	4	3	2																
0,013	45	10	6	4	2	2															
0,015	54	14	9	6	4	2															
0,020	72	25	16	11	6	4	3	2													
0,025	90		25	17	10	6	4	3	2												
0,030	108			25	14	9	6	4	2												
0,040	144				25	16	10	7	4	3	2										
0,050	180					25	16	11	6	4	3	2									
0,060	216						23	16	9	6	4	2									
0,080	288							28	16	10	7	4	3	2							
0,100	360								25	16	11	6	4	3	2						
0,125	450									25	17	10	6	4	2						
0,150	540										25	14	9	6	4	2					
0,200	720											25	16	11	6	4	3	2			
0,250	900												25	17	10	6	4	3	2		
0,300	1080													25	14	9	6	4	2	2	
0,400	1440														25	16	10	7	4	2	2
0,500	1800															25	16	11	6	4	3
0,600	2160																23	16	9	6	4
0,800	2880																	28	16	11	7
1,000	3600																		25	17	10
1,250	4500																			25	16
1,500	5400																				25

Free area sound attenuating transfer diffuser WGZDDO and WGZCDO in cm²

H	W=225	325	425	525	625	825	1025	1225
110	42	62	82	102	122	162	202	242
190	84	124	164	204	244	324	404	464
270	126	186	246	306	366	486	606	726
350	168	248	328	408	488	648	808	968
430	210	310	410	510	610	810	1010	1210
510	252	372	492	612	732	972	1212	1452
590			574	714	854	1134	1414	1694
670			656	816	976	1296	1616	1936
750					1098	1458	1818	2178
830						1620	2020	2420
910						1782	2222	2662
990							2424	2904

Damper of sound attenuating transfer diffuser WGZDDO and WGZCDO in dB measures on diffuser

		Intermediate frequency band in Hz							
		63	125	250	500	1K	2K	4K	8K
Built in depth	40 mm	8	9	6	6	12	22	23	21
	110 mm	8	10	7	11	15	26	24	22

General:

static pressure drop Ps in Pa.

The attenuation data are based on a compared measurement of a hole of 525 x 510 mm, and a diffuser fitted into this hole.

In critical cases, such as high-noise areas and/or a small distance among the noise source, diffuser and receiver, consult an acoustic advisor.

Interpolation is acceptable.