

Application:

The round, conic Swirl diffuser type RTF is suitable for the supply of cooled or heated air with a big temperature difference and is applicable into constant and variable volume installations.

The housing consists of a round aluminium nozzle body with ten fixed Swirl blades. The diffuser can be easily installed with the separate plenum box by means of a central screw.

Features:

Max. exchange rate:	up to 15 x
Under temperature:	up to 10 K
Over temperature:	up to 15 K

Dimensional data:

model	A	D1	D2	G	H	P _{min}	P _{max}
125	185	124	123	185	85	260	280
160	220	159	158	220	95	285	305
200	260	199	198	260	110	330	350
250	310	249	248	310	130	390	420
315	375	314	313	375	165	460	490

Remarks:

The dimensions are given in mm.

The diffuser can also be used for return air. In this case the Lp and Ps values in the table can be used.

Connection "D" is actual O.D.

RTFM

- ▶ Swirl diffuser, for Tee-bar mounting
- ▶ Supply, round
- ▶ Fixed blades

Design:

Swirl diffuser

round metal	aluminium
nozzle body:	aluminium
swirl blades:	aluminium
finish:	epoxy powder
colour:	white RAL 9010

Plenum box

material:	galvanised sheet steel
interior lining:	12 mm
finish:	none

Available types:

RTFMO -

R	round diffuser
T	supply
F	swirl type, fixed blades
M	tee bar mountable, square 595 mm

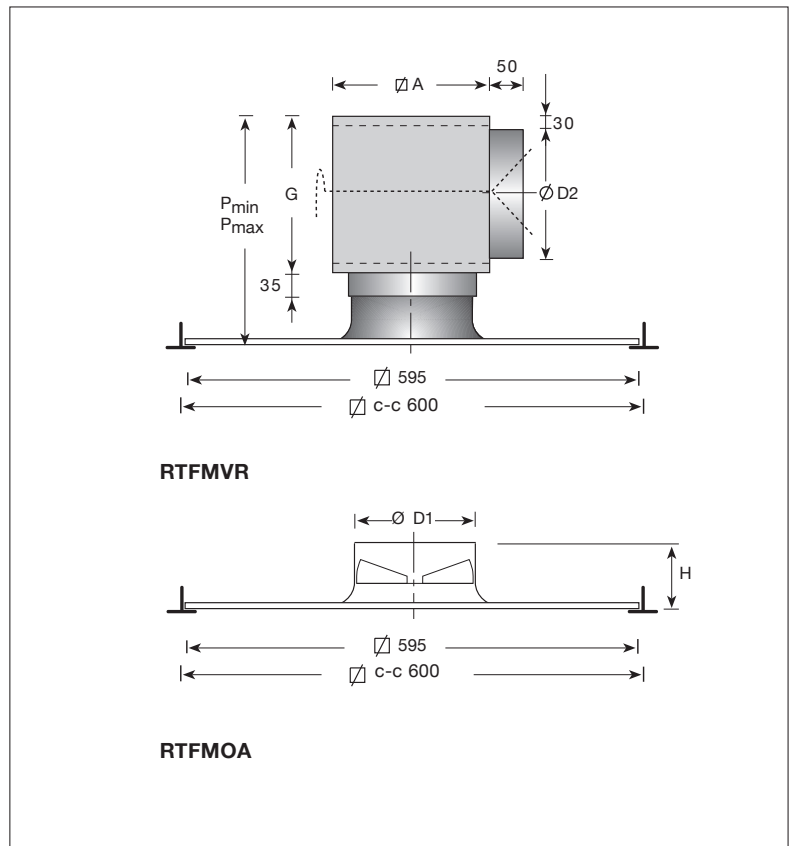
- accessories

O	none
V	damper (only in combination with a plenumbox)

- designed with

A	round top connection
U	unlined plenum box (delivered separately)
R	lined plenum box (delivered separately)

Dimensions:



Performance data RTFM:

air volume		model														
		125			160			200			250			315		
m ³ /s	m ³ /h	T	Ps	Lp	T	Ps	Lp	T	Ps	Lp	T	Ps	Lp	W	Ps	Lp
0.015	54	0.7	11	-												
0.020	72	1.0	19	15	0.7	5	-									
0.025	90	1.1	30	22	0.9	8	-									
0.030	108	1.4	43	27	1.1	12	11	0.8	3	-						
0.040	144	1.9	70	36	1.4	21	20	1.1	6	-						
0.050	180	2.4	120	43	1.8	33	27	1.4	9	16	1.0	3	-			
0.060	216				2.2	47	32	1.7	13	21	1.3	5	-			
0.080	288				2.8	83	41	2.2	24	30	1.8	10	17	1.4	4	-
0.100	360							2.8	37	37	2.1	15	24	1.7	6	11
0.125	450							3.4	59	44	2.8	24	31	2.1	9	17
0.150	540										3.3	34	36	2.6	13	23
0.200	720										4.3	60	45	3.5	23	32
0.250	900													4.2	37	38
0.300	1080													5.1	53	44

General:

The throw applies to flush fitting into a flat ceiling.
throw T in meters.

static pressure drop Ps in Pa

The adopted room absorption is 10 dB.

sound pressure level Lp in dB(A)