



RTVO

- ▶ Circular valve
- ▶ Supply

Design:

Supply valve

material: steel
 finish: electrostatic powder coating
 colour: white, RAL 9010
 seal connection: foam rubber

Mounting frame

material: steel
 finish: galvanised

Available types:

RTVOOM

R circular diffuser
T supply
V valve
O not applicable
O not applicable
M mounting frame

Application:

The circular return valve type RTVO is suited for supply air in mechanical ventilation systems. These valves can regulate minor pressure differences well, keeping the sound level low. In addition, a model with fuse pattern is available.

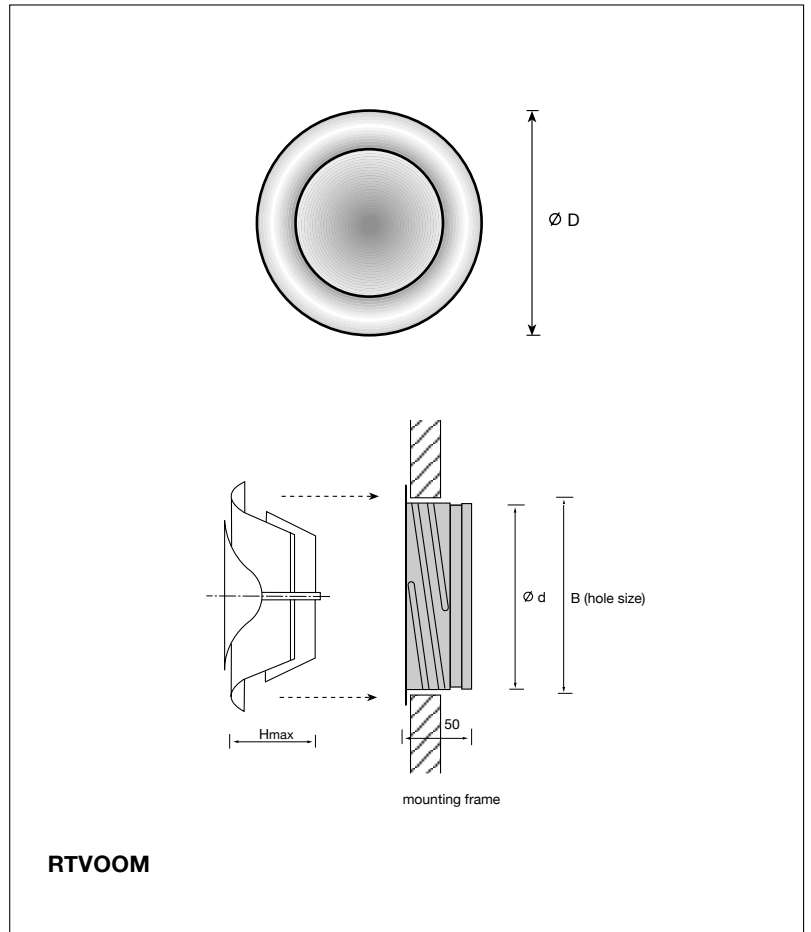
Features:

Five model sizes are available.
 Supplied inclusive of installation.

Dimensional data:

Model	Ød	B	ØD	Hmax	Weight
80	79	86	115	42	0,150
100	99	106	138	40	0,170
125	124	130	164	46	0,230
160	159	166	211	54	0,370
200	199	206	248	63	0,520

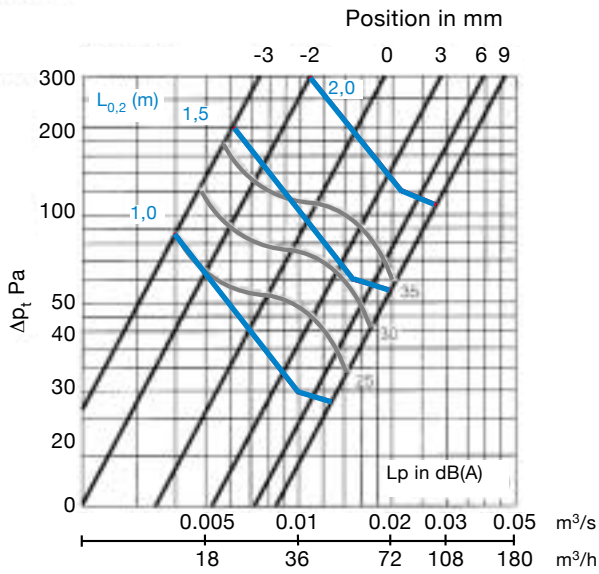
Dimensions:



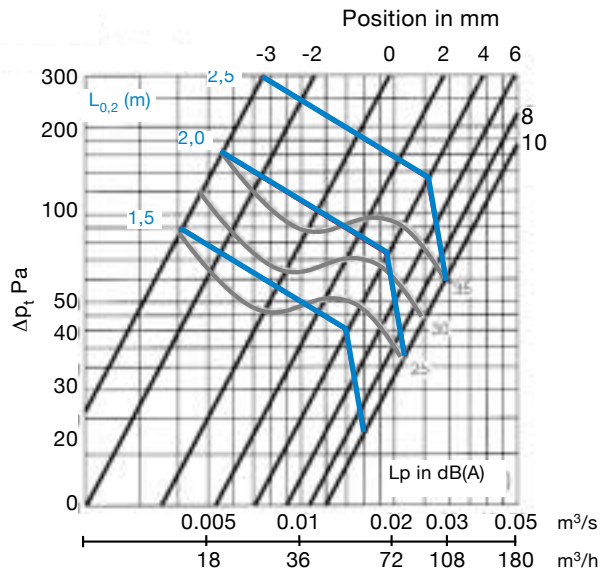
Remarks:

The dimensions are given in mm.
 The weight is given in kg.

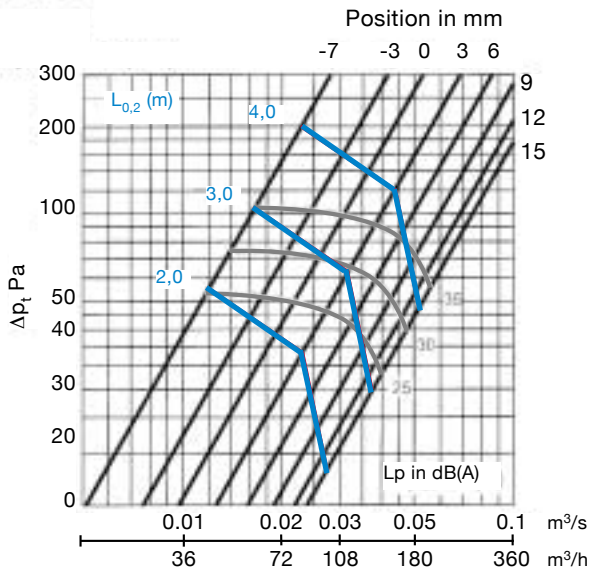
Performance data RTVO:



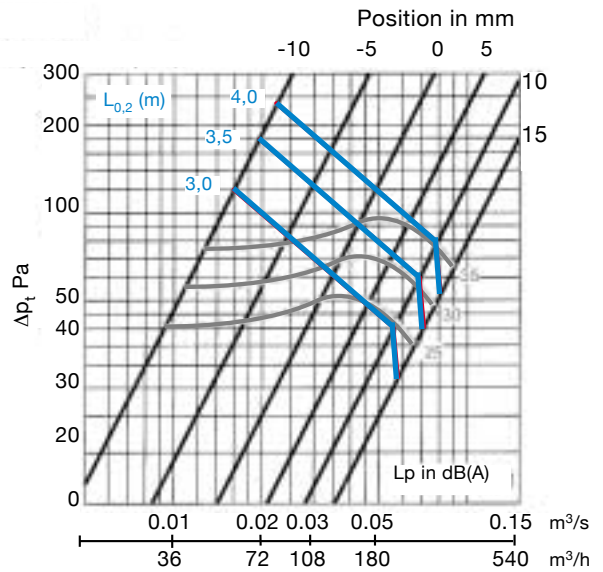
Model 80



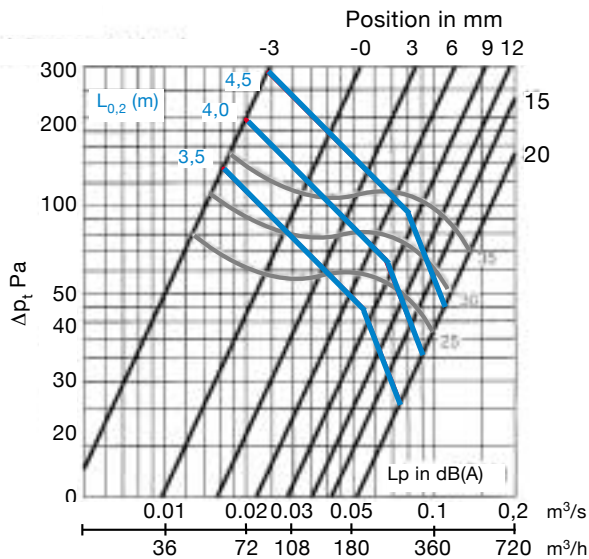
Model 100



Model 125



Model 160



Model 200

General:

static pressure drop in Pa.
The assumed room absorption is 4 dB.
sound pressure Lp in dB(A).
L_{0,2} is the throw at a 0.2 m/s end velocity

The zero position of the valve is the position where the face plate of the cone is in a continuous line with the outside ring.
The desired position can be adjusted by turning the cone.

