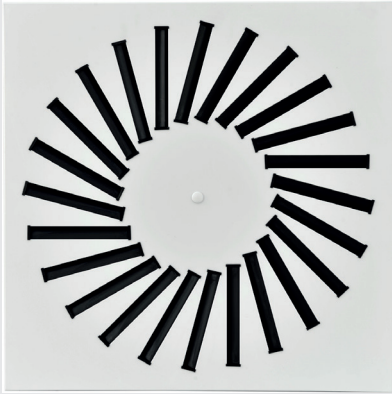




PSWA

- > Swirl Diffuser
- > Vane Pattern
- > Adjustable Throw



DESCRIPTION

Swirl diffusers with adjustable throws for both supply and extract applications. Designed for ease of installation, adjustment and cleaning.

CONSTRUCTION

Steel, polypropylene deflection blades.

Finish:

RAL 9010 white painted steel.
RAL 9005 black deflection blades.

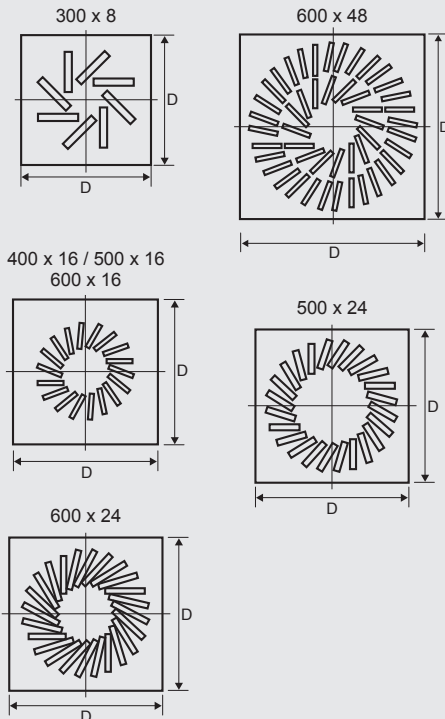
Options:

- Galvanised steel plenum, standard or insulated, with or without equalizer sheet, calibration damper and mounting bridge.

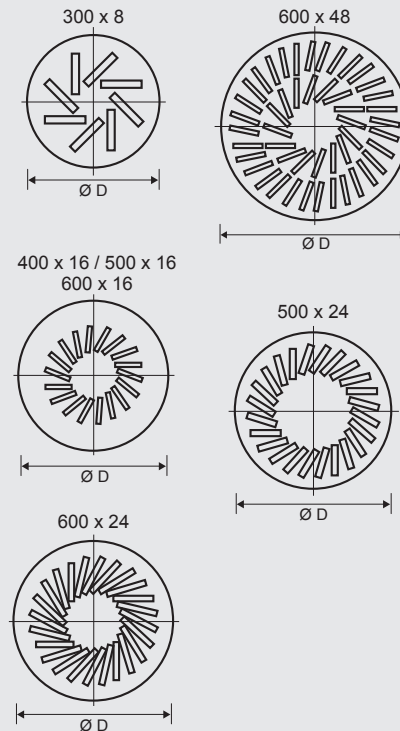
MODELS

PSWA: Square
PSWA-C: Circular

PSWA – Square



PSWA – Circular



DIMENSIONS (mm)

mm	Ø D	D
300/8	298	295 x 295
400/16	398	395 x 395
500/16	498	495 x 495
600/16	598	595 x 595
500/24	498	495 x 495
600/24	598	595 x 595
600/48	598	595 x 595

NOTES

All dimensions are given in mm.

PSWA – SELECTION DATA

SUPPLY SELECTION DATA

Air Volume m³/s		0.015	0.020	0.025	0.030	0.040	0.050	0.060	0.070	0.080	0.100	0.125	0.150	0.200	0.250	0.300		
Size	300/8	T	0.7	0.9	1.2	1.3	1.6	1.9	2.2	2.4	2.6							
		Pa	3	6	9	11	22	34	50	68	89							
		dB(A)	-	-	10	15	22	28	33	37	43							
	400/16 500/16 600/16	T				1.1	1.3	1.4	1.6	1.7	1.7	2	2.3					
		Pa				3	6	9	14	18	24	38	62					
		dB(A)				-	-	13	16	21	25	31	40					
	500/24	T				1.1	1.3	1.4	1.6	1.7	1.7	2	2.3	2.6				
		Pa				3	4	7	8	11	17	26	38					
		dB(A)				-	-	12	16	19	24	31	37					
	600/24	T						1.3	1.4	1.5	1.7	1.9	2.2	2.5	2.8			
		Pa						2	3	4	7	12	15	27	42			
		dB(A)						-	-	7	13	19	25	31	36			
	600/48	T										1.8	2.0	2	2.2	2.4	2.6	
		Pa										5	7	10	20	28	41	
		dB(A)										-	13	18	26	33	37	

KEY INFORMATION

Throw based on diffuser installed in a standard suspended ceiling.

T = Throw in metres (m)

Pa = Static Pressure Drop

dB(A) = Sound Pressure Level

RETURN SELECTION DATA

Air Volume m³/s		Top Connection																
		0.030	0.040	0.050	0.060	0.070	0.080	0.100	0.125	0.150	0.200	0.250	0.300	0.350	0.400	0.450		
Size	300/8	Pa	4	6	12	18	23	30	47	73								
		dB(A)	-	-	7	13	18	22	31	36								
	400/16 500/16 600/16	Pa						11	17	26	38	68						
		dB(A)						9	16	20	28	37						
	500/24	Pa							12	19	27	48	75	102				
		dB(A)							8	14	20	32	36	44				
	600/24	Pa								8	12	21	34	48	66	86		
		dB(A)								6	12	20	27	30	37	45		
	600/48	Pa										10	18	28	40	53	72	90
		dB(A)										6	15	25	27	32	36	42

RETURN SELECTION DATA

Air Volume m³/s		Side Connection														
		0.050	0.060	0.070	0.080	0.100	0.125	0.150	0.200	0.250	0.300	0.350	0.400	0.450		
Size	300/8	Pa	16	23	35	42	66	101								
		dB(A)	9	15	19	23	31	37								
	400/16 500/16 600/16	Pa				14	21	33	48	82						
		dB(A)				9	16	22	28	37						
	500/24	Pa					13	20	29	52	82	118				
		dB(A)					9	15	21	34	37	44				
	600/24	Pa							13	23	36	51	71	91		
		dB(A)							10	18	26	31	36	38		
	600/48	Pa									18	29	44	56	73	93
		dB(A)									15	21	27	35	36	41