



RDCD 1.5 SH

Meets Regulation (EU) No. 1254/2014

- > Domestic HRU
- > 90% efficiency
- > High pressure

APPLICATION

The RDCD 1.5 SH is our latest generation ceiling mounted HRV system, perfect for medium sized homes. The unit includes our high efficiency heat exchange system, automatic by-pass and EC brushless plug fan as standard. The unit has control options including MODBUS.

DESIGN

Construction:

Galvanised steel casing. PVC heat exchanger. 28 kg weight.

Options:

- F7 filter (G4 included as standard)
- Enthalpic heat exchanger

Installation:

- Horizontal (left or right)
- Vertical (left or right)

AVAILABLE TYPES

RDCD 1.5 SH

RDCD 1.5 SH-E (see options)

CONTROLS

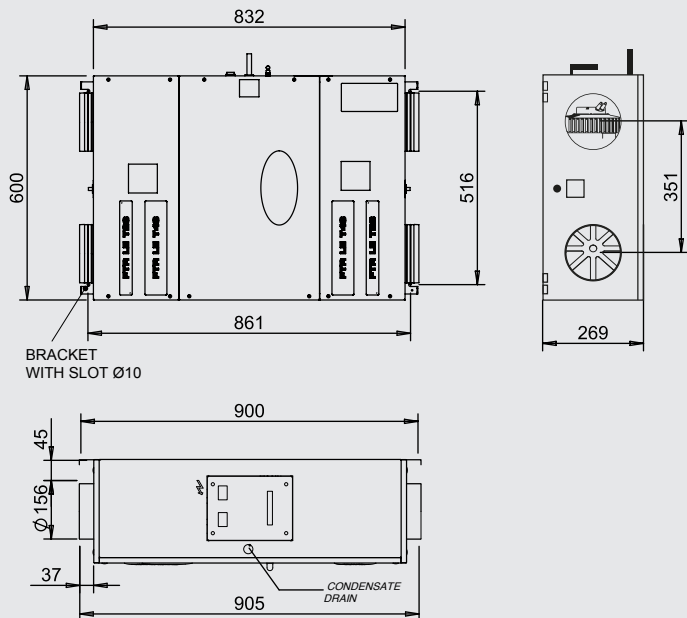
All options include Speed, By-Pass, Frost Protection and Filter Indicator controls.

4B-RF: Includes booster function

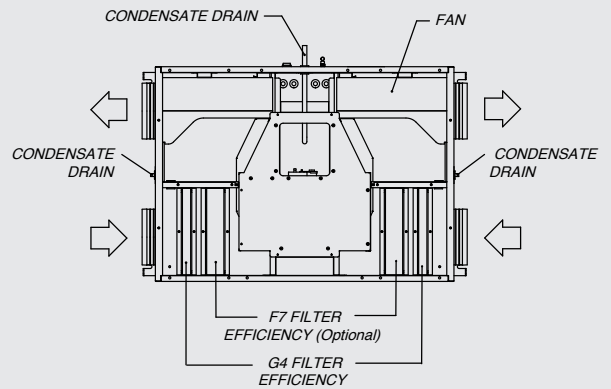
RH-RF: Includes humidity control

C02-RF: Includes CO₂ control

RDCD 1.5 SH



INTERNAL VIEW



REMARKS

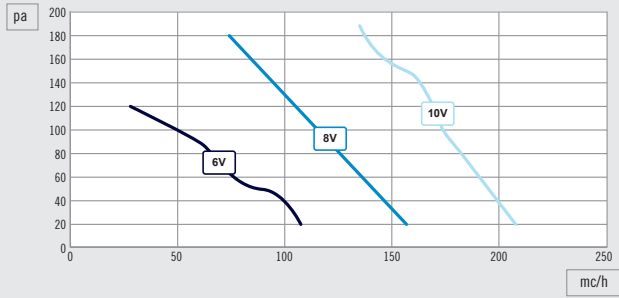
All dimensions are given in mm.
Wireless Plug & Play control system included.

FAN PERFORMANCE	RDCD 1.5 SH
Power consumption (W)	27
RPM	3700
Current (A)	0.27
Voltage (V) (HZ)	230V 50Hz

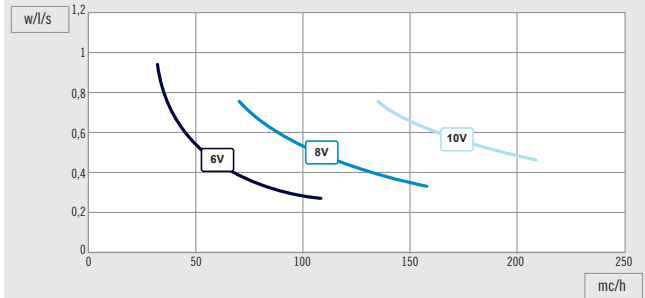
AIR FLOW PERFORMANCE	RDCD 1.5 SH
Nominal air flow (m ³ /h)	160
Useful static pressure (Pa)	100

RDCD 1.5 SH – PERFORMANCE DATA

USEFUL STATIC PRESSURE ①



SPECIFIC FAN POWER ②

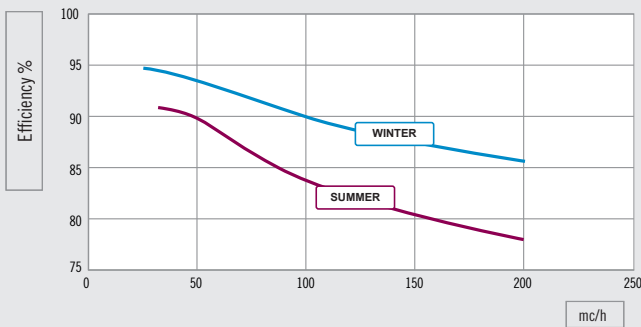


SUMMER EFFICIENCY

Fresh air: 32 °C / 50 % R.H. - Return air: 26 °C / 50 % R.H.

WINTER EFFICIENCY

Fresh air: -5 °C / 80 % R.H. - Return air: 20 °C / 50 % R.H.



RADIATED SOUND LEVEL			
VOLT	10	8	6
FREQUENCY (HZ)	Lw (dB)	Lw (dB)	Lw (dB)
100	39.9	37	36.1
125	43.4	38.7	37.3
250	42.8	39.5	36.7
500	44.1	35.8	34.3
1000	36.3	30.7	24.3
2000	37.7	32.2	25.8
4000	40.3	35.1	24.3
8000	26.1	20.3	17.8
Sound Power	54.8	50.4	45.6
Sound Pressure	41.7	36.6	29.5

F7 FILTER PRESSURE DROP

mc/h	Pa
50	10
100	15
150	30
200	40
250	50
300	65

*approximate values

Performance EN 1314:7:2011 - EN ISO 5135:2003 certified.

- ① DATA WITH STANDARD G4 FILTERS
- ② DATA FOR SINGLE FAN

MODEL OPTIONS INSTALLED	4B-RF			RH-RF / CO2-RF			RH-RF / CO2-RF local		
	Temp.	Cold	Hot	Temp.	Cold	Hot	Temp.	Cold	Hot
Climate Reference	-36.9	-73.5	-13.9	-39.4	-76.8	-15.4	-42.4	-80.8	-17.8
SEC in [kWh/(m²a)]	A	A+	E	A	A+	E	A+	A+	E
Declared Typology	UVR-B Bidirectional			UVR-B Bidirectional			UVR-B Bidirectional		
Type of drive installed	Multi-speed drive			Variable speed			Variable speed		
Type of heat recovery	Recuperative			Recuperative			Recuperative		
Thermal efficiency ¹	84.1%			84.1%			84.1%		
Maximum flow rate in [m³/h] ²	160			160			160		
Maximum electric Power in [W] ³	60			60			60		
Sound Power Level (LWA) in [dB(A)] ³	39			39			39		
Reference flow rate [m³/h] ⁴	112			112			112		
Reference pressure difference in [Pa]	50			50			50		
SPI in [W/m³/h] ⁵	0.21			0.21			0.21		
Control factor and typology	1			0.85			0.65		
Declared maximum internal [%] ⁶	3.7			3.7			3.7		
Declared maximum external leakage [%] ⁶	2.5			2.5			2.5		

- 1: Efficiency according EN13141-7:2010 at reference flow at 50 Pa;
- 2: Maximum flow at 100 Pa external pressure;
- 3: Casing radiation at reference flow rate at 50 Pa external pressure;
- 4: Reference flow rate is 70% of maximum flow at 50 Pa external pressure according EN13141-7:2010;

- 5: According EN13141-7:2010 at reference flow rate;
 - 6: According EN13141-7:2010;
- SEC: Specific Energy Consumption.

ENERG
енергия · ενεργεια

Y IA
IE IA

RDCD 1.5 SH

A+

A

B

C

D

E

F

G

A

39
dB

160 m³/h

ENERGIA · ΕΠΕΡΓΙΑ · ENERPIA · ENERGIJA · ENERGI · ENERGI · ENERGI
2016 1254/2014