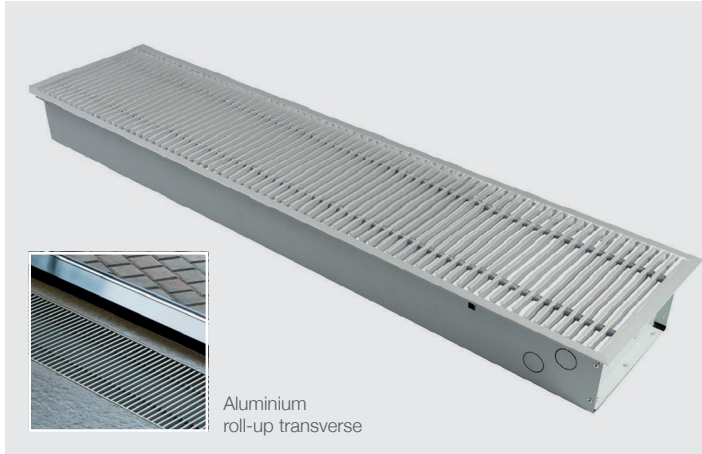




# PTHN-250

- > Trench Heater (250 mm Wide)
- > Low Energy Consumption
- > Natural Convection



Aluminium roll-up transverse

## DESCRIPTION

Designed to provide heating in areas with large glass walls, for either commercial or domestic applications with lengths from 700 mm to 4800 mm.

### Fixing:

- floor installation
- adjustable fixing feet
- connects to LTHW systems

## WORKING CONDITIONS

Max. temperature 110°C  
 Max. overpressure 1 MPa (10 bar)  
 Protection IP 20

**Ambient conditions:** Temp. T = +2 to +40°C, Humidity Rh = 20 to 70%

## NOTES

All dimensions are given in mm.  
 Extension pieces and valves are available on request.

## CONSTRUCTION

Galvanised steel trough with black powder coating interior. Anodised aluminium ledge.

### Grilles:

Anodised aluminium, wood, stainless steel.

### Options:

- 'J' Ledge (standard) with a choice of colours
- 'L' Ledge overlapped flange with a choice of colours

## GRILLE MATERIALS

### Transverse roll up:

- Aluminium (no finish, bronze or black)
- Stainless Steel
- Oak (natural or stained)
- Beech (natural or stained)

### Linear-non rolling:

- Aluminium (none, bronze or black)

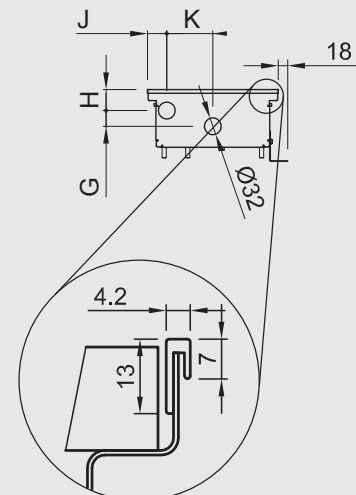
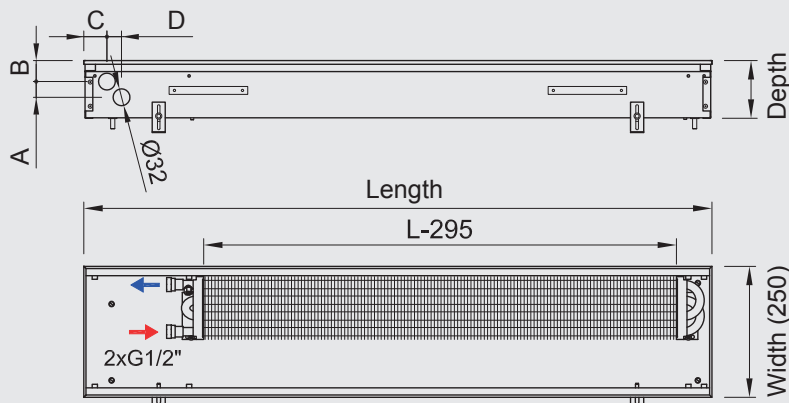
## MODELS

- PTN-250/80:** 80 mm depth (2 pass)  
**PTN-250/90:** 90 mm depth (2 pass)  
**PTN-250/110:** 110 mm depth (4 pass)  
**PTN-250/125:** 125 mm depth (4 pass)  
**PTN-250/140:** 140 mm depth (4 pass)

## DIMENSIONS (mm)

Model	80	90	110	125	140
A	N/A	N/A	30	30	30
B	43	43	40	40	40
C	35	35	44	44	44
D	38	38	28	28	28
G	N/A	N/A	30	30	30
H	43	43	40	40	40
J	50	50	37	37	37
K	60	60	88	88	88

## PTHN-250/110 (2 pass)



# PTHN-250 – SELECTION DATA

Q[W] 75/65/20°C (ΔT=50°C)		HEATING OUTPUT [W]				
		250/80	250/90	250/110	250/125	250/140
		n=1.369	n=1.375	n=1.46	n=1.457	n=1.443
Lengths (mm)	700	115	137	166	188	200
	900	172	205	248	281	298
	1200	257	306	371	421	446
	1500	343	408	495	560	593
	1800	428	510	618	700	741
	2100	513	611	741	839	889
	2400	598	713	864	978	1036
	3000	769	916	1110	1257	1332
	3600	940	1119	1357	1536	1627
	4200	1110	1322	1603	1815	1922
4800	1281	1526	1849	2094	2218	

Q[W] 55/45/20°C (ΔT=30°C)		HEATING OUTPUT [W]				
		250/80	250/90	250/110	250/125	250/140
		n=1.369	n=1.375	n=1.46	n=1.457	n=1.443
Lengths (mm)	700	57	68	79	89	96
	900	85	102	118	134	143
	1200	128	152	176	200	213
	1500	170	202	235	266	284
	1800	213	253	293	333	355
	2100	255	303	351	399	425
	2400	297	353	410	465	496
	3000	382	454	526	597	637
	3600	467	554	644	730	778
	4200	552	655	760	862	920
4800	637	756	877	995	1061	

75/65/20 °C → 75°C inlet temperature, 65°C outlet temp., 20 °C room temp. / **Output 90/70/20 °C** = ~ 1,29 x 75/65/20 °C / **Output 70/55/20 °C**  
 = ~ 0,80 x 75/65/20 °C / Heating outputs in accordance with EN442 / Not listed heating outputs for lengths per 100 mm steps calculate linearly.