

KS1

- > Rectangular VAV
- > Single Blade
- > Single Wall

APPLICATION

Our rectangular VAV units contain a single low noise air tight damper blade and airflow averaging grid within a robust galvanised casing.

Our single blade rectangular VAV units are available in many sizes offering ΔP max of 1000Pa. The units can also provide a Constant Air Volume.

STANDARDS

- 1.25 mm casing exceeds leakage EN 1751, 1998 Class B
- Damper blade rubber seal leakage exceeds EN 1751 Class 2

DESIGN

Construction:

Single wall 1.25 mm thick galvanised steel casing.

Options:

- ASK Attenuator
- Polyester Powder Coating

AVAILABLE TYPES

VAV-KS1:

Rectangular single wall

VAV-KD1:

Rectangular double wall

VAV-KS 100:

Single blade rectangular single wall

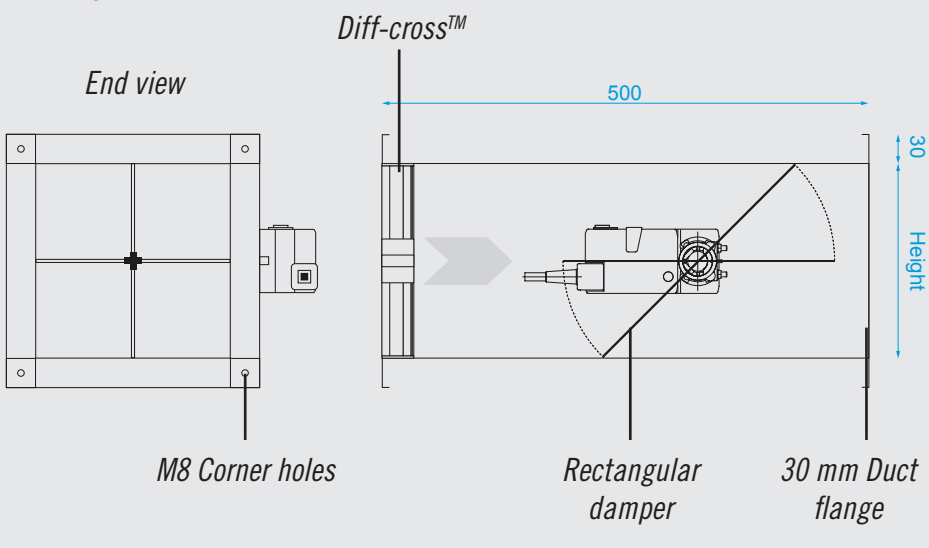
VAV-KD 100:

Multi blade rectangular double wall

REMARKS

Minimum velocity 1.5 m/s. Controller actuator included. All dimensions are given in mm. Requires 3x diameter straight approach for effective operation.

VAV-KS1



DIMENSIONAL DATA (mm)

Width	Height
Min 200	Min 100
100 mm increments	
Max 600	Max 300

RADIATED SOUND

Radiated sound allowance according to VDI2081 is 5dB/oct for room attenuation and 4dB/oct for ceiling attenuation total 9dB/oct. Double wall radiated figures are based on duct work being acoustically lagged 3 m either side of the unit.

DISCHARGE SOUND ALLOWANCE

Calculated according to VDI 2081

Hz	125	250	500	1K	2K	4K
dB	10	8	7	8	8	8

DISCHARGE SOUND ALLOWANCE

Calculated according to VDI 2081

l/s	139	278	417	556	695	834	1111	1389	1667
dB/oct	0	3	5	6	7	8	9	10	11

VAV-KS1 – PERFORMANCE DATA

	SIZE			DISCHARGE SOUND (LpA)						RADIATED SOUND (LpA)		
	AIR VELOCITY	AIR VOLUME	MIN Δ Ps	WITHOUT ATTENUATOR			WITH ATTENUATOR (ASK see size chart)			SINGLE WALL (KS-1)		
				100 Pa	200 Pa	400 Pa	100 Pa	200 Pa	400 Pa	100 Pa	200 Pa	400 Pa
200 x 100	m/s	l/s	Pa (+ ASK)	100 Pa	200 Pa	400 Pa	100 Pa	200 Pa	400 Pa	100 Pa	200 Pa	400 Pa
	2	40	4 (+5)	37	44	49	19	26	32	24	32	37
	4	80	9 (+10)	41	47	52	23	30	34	28	35	39
	6	120	18 (+20)	44	50	55	28	33	37	32	38	42
	8	160	33 (+37)	48	54	58	32	36	38	36	42	45
400 x 100	m/s	l/s	Pa	100 Pa	200 Pa	400 Pa	100 Pa	200 Pa	400 Pa	100 Pa	200 Pa	400 Pa
	2	80	4 (+5)	40	47	52	21	28	33	26	34	39
	4	160	8 (+10)	43	49	54	25	31	35	30	37	41
	6	240	17 (+20)	46	52	57	28	33	37	34	40	44
	8	320	30 (+37)	49	55	58	32	36	38	38	44	47
600 x 100	m/s	l/s	Pa	100 Pa	200 Pa	400 Pa	100 Pa	200 Pa	400 Pa	100 Pa	200 Pa	400 Pa
	2	120	3 (+5)	41	48	53	22	30	35	28	36	41
	4	240	7 (+10)	44	51	55	26	32	36	32	39	43
	6	360	14 (+20)	46	52	57	29	34	38	36	42	46
	8	480	25 (+37)	49	55	59	32	37	39	40	46	49
200 x 200	m/s	l/s	Pa	100 Pa	200 Pa	400 Pa	100 Pa	200 Pa	400 Pa	100 Pa	200 Pa	400 Pa
	2	80	4 (+8)	40	47	52	21	28	33	26	34	39
	4	160	8 (+18)	43	49	54	25	31	35	30	37	41
	6	240	17 (+36)	46	52	57	28	33	37	34	40	44
	8	320	30 (+65)	49	55	58	32	36	38	38	44	47
400 x 200	m/s	l/s	Pa	100 Pa	200 Pa	400 Pa	100 Pa	200 Pa	400 Pa	100 Pa	200 Pa	400 Pa
	2	160	4 (+8)	42	50	55	21	27	32	29	37	42
	4	320	8 + (18)	44	51	56	26	30	34	33	40	44
	6	480	15 + (36)	46	52	57	31	33	36	37	43	47
	8	640	28 + (65)	48	54	58	35	37	38	41	47	50
600 x 200	m/s	l/s	Pa	100 Pa	200 Pa	400 Pa	100 Pa	200 Pa	400 Pa	100 Pa	200 Pa	400 Pa
	2	240	3 (+8)	42	49	54	21	28	33	31	39	44
	4	480	6 + (18)	44	51	55	26	31	35	35	42	46
	6	720	13 + (36)	45	51	56	30	33	36	39	45	49
	8	960	24 + (65)	48	54	58	35	37	39	43	49	52
200 x 300	m/s	l/s	Pa	100 Pa	200 Pa	400 Pa	100 Pa	200 Pa	400 Pa	100 Pa	200 Pa	400 Pa
	2	120	3 (+7)	41	48	53	22	30	35	28	36	41
	4	240	7 (+17)	44	51	55	26	32	36	32	39	43
	6	360	14 (+43)	46	52	57	29	34	38	36	42	46
	8	480	25 (+62)	49	55	59	32	37	39	40	46	49
400 x 300	m/s	l/s	Pa	100 Pa	200 Pa	400 Pa	100 Pa	200 Pa	400 Pa	100 Pa	200 Pa	400 Pa
	2	240	3 (+7)	42	49	54	21	28	33	31	39	44
	4	480	6 (+17)	44	51	55	26	31	35	35	42	46
	6	720	13 (+34)	45	51	56	30	33	36	39	45	49
	8	960	24 (+62)	48	54	58	35	37	39	43	49	52
600 x 300	m/s	l/s	Pa	100 Pa	200 Pa	400 Pa	100 Pa	200 Pa	400 Pa	100 Pa	200 Pa	400 Pa
	2	360	3 (+7)	43	50	55	24	32	37	33	41	46
	4	720	6 (+17)	45	52	56	29	35	39	37	44	48
	6	1,080	13 (+34)	46	52	57	34	37	40	41	47	51
	8	1,440	24 (+62)	49	55	58	38	40	43	45	51	54

NOTES

100 Pa 200 Pa 400 Pa
System Static Pressure