

PPRG

- > Return Grille
- > Perforated
- > Wall Mounted

DESCRIPTION

The PPRG grille is suitable for sidewall, soffit or ceiling mounting and is normally used for extract applications.

CONSTRUCTION

Extruded aluminium frame with steel front sheet.

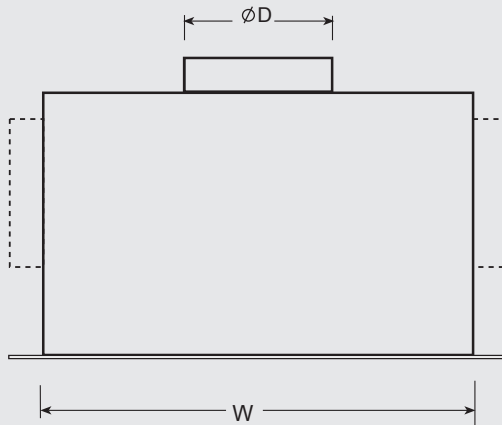
Finish:

Epoxy powder RAL 9010.

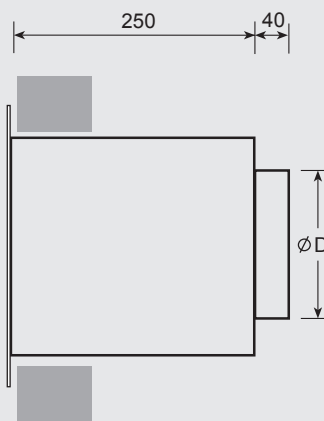
Options:

- Lined plenum
(rear, left or right connections)
- Un-lined plenum
(rear, left or right connections)

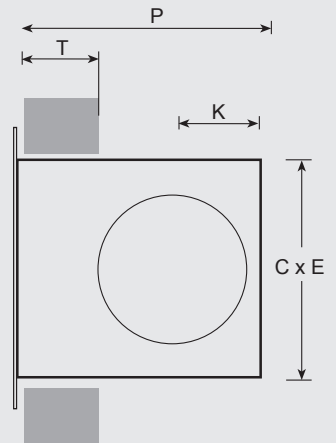
PPRG – Perforated Return Grille



Rear Connection

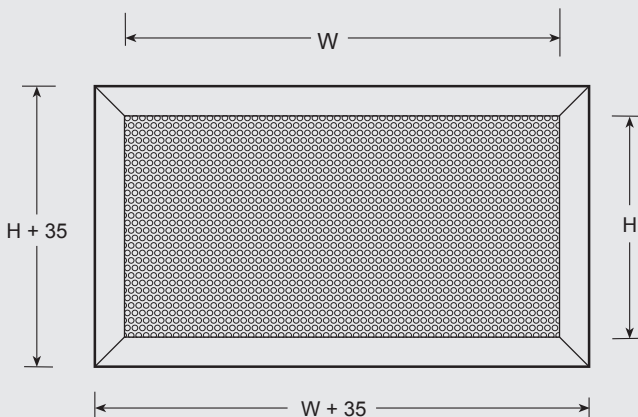


Side Connection (left)



DIMENSIONS (mm)

Size	W	H	C	E	D	P	K	T
300	313	150	305	145	123	343	107	110
400	388	200	380	195	158	378	124	110
500	483	248	475	240	198	418	144	110
600	578	313	570	305	248	468	293	110



NOTES

Please advise at time of order if face screws are required.

PPRG – SELECTION DATA

RETURN SELECTION DATA														
Air Volume (m ³ /s)		0.012	0.015	0.020	0.025	0.030	0.040	0.050	0.060	0.080	0.100	0.125	0.150	
Size	300 x 300	Pa	1	2	4	7	9	16	24					
		dB(A)	-	-	-	-	-	12	19					
	400 x 400	Pa			1	2	3	6	10	15	21			
		dB(A)			-	-	-	-	-	15	22			
	500 x 500	Pa						5	8	12	20	31		
		dB(A)						-	-	15	20	28		
	600 x 600	Pa							4	6	10	16	25	34
		dB(A)							-	-	10	20	24	28

KEY INFORMATION

Pa = Static Pressure Drop
 dB(A) = Sound Pressure Level