

M24

EN 442 & EN 14037 tested

- > Modular T-Bar Radiant Panel
- > Smooth-Faced Panel
- > T-Bar Mounted

APPLICATION

The modular M24 is an aluminium radiant heating strip designed specifically for T-Bar ceiling integration that provides exceptionally high heat transfer that operates from a boiler with a water-based heat exchange system.

DESIGN

Construction:

Aluminium sheets. Copper pipework, cadmium or zinc-plated steel clips. rFOIL insulation is fixed over pipework.

Finish:

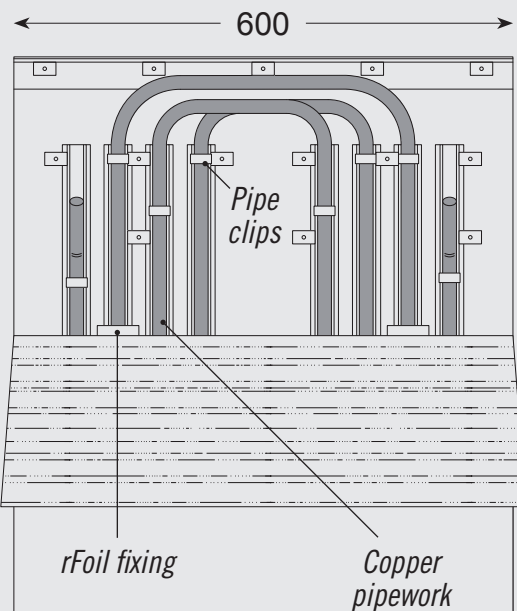
White polyester powder coating RAL 9010 (matte) as standard.

FEATURES

Mean water temp: 45°C to 80°C

Coil passes: 4 pass (600 x 600)
8 pass (lengths 1200 and above)

M24 (8 pass) top view



All models include a non-hardening heat paste which is applied between pipework and aluminium for maximum heat transfer

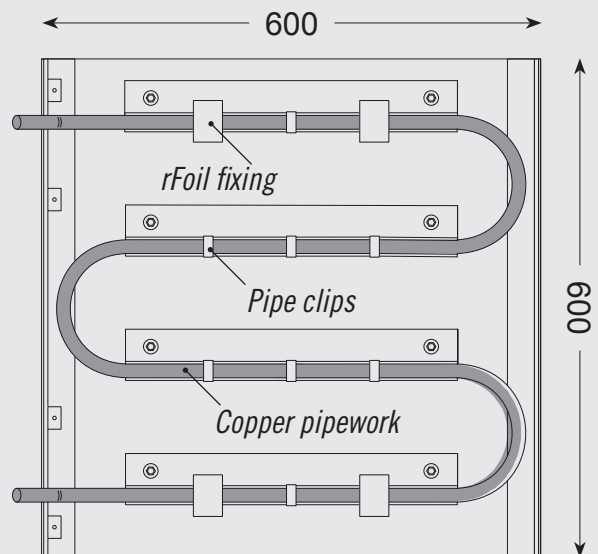
REMARKS

All dimensions are given in mm. Each panel requires wire support hangers (supplied by others).

DIMENSIONAL DATA (mm)

Model	Width	Length	Depth
600 x 600	595	595	60
600 x 1200	595	1195	60
600 x 1800	595	1795	60
600 x 2400	595	2395	60
600 x 3000	595	2995	60

M24 (4 pass) top view



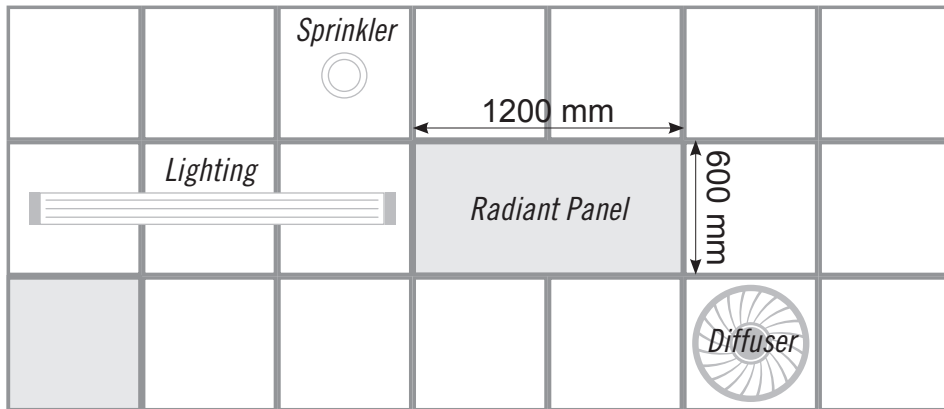
M24 – PERFORMANCE DATA

SIZE (mm)	Mean Water Temperature °C							
	45	50	55	60	65	70	75	80
600 x 600	90	112	121	155	176	201	238	244
600 x 1200	195	245	260	337	387	437	487	537
600 x 1800	293	367	390	506	581	655	730	806
600 x 2400	391	489	521	674	775	873	974	1075
600 x 3000	489	612	651	843	969	1092	1218	1344

NOTES

Outputs are based on 21°C room temperature. For every 1°C decrease in temperature below 21°C, the output increases by 2%.

T-BAR CEILING LAYOUT



FIXING

