



FK-YXIC

- > Swirl
- > Supply
- > Ajustable

APPLICATION

The fixed swirl diffuser is suitable for the supply of cooled air with a large temperature differential and can be utilised for constant and variable volume installations.

The air pattern can be adjusted manually. The diffuser may be used for surface mounting as well as for Tee bar mounting. The diffuser is for mounting within the ceiling and can be fitted with a plenum box which is delivered unassembled.

FEATURES

Max. air exchanges: up to 12x
 Under temperature: up to 10k
 Over temperature: up to 15k

DESIGN

Swirl diffuser

face plate: galvanised steel
 finish: RAL 9010
 pattern blades: high-density polystyrene
 colour: black

Plenum box

material: galvanised steel
 lining: 12mm

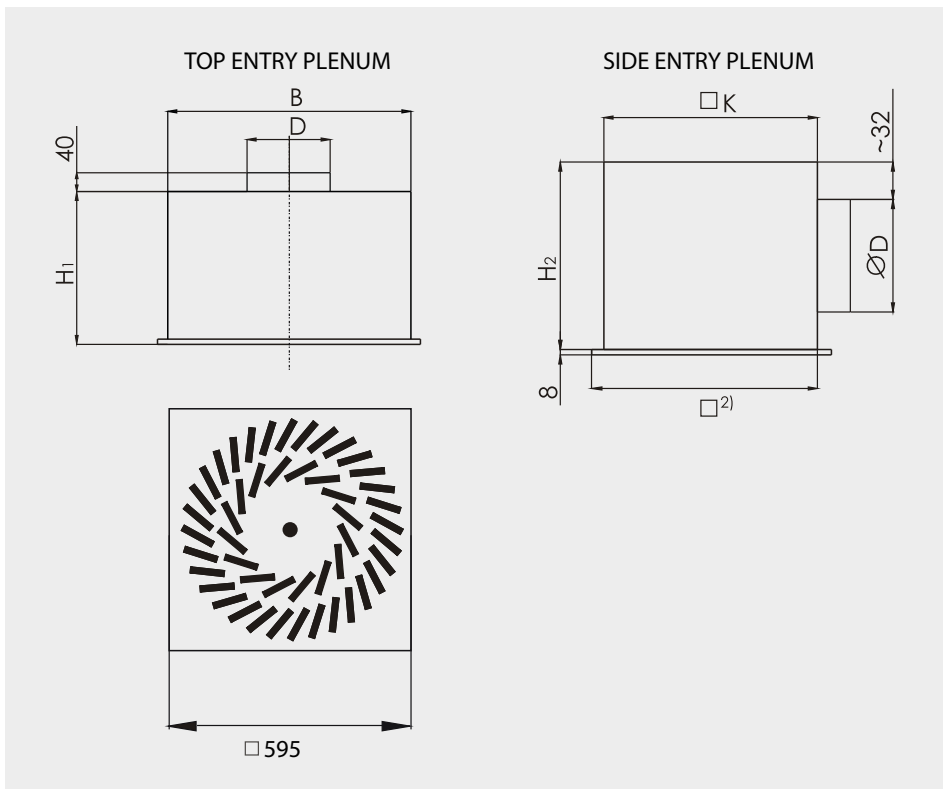
AVAILABLE TYPES

FK-YXIC

FK diffuser

YXIC swirl diffuser with fixed blade

- **air pattern**
reversible air pattern
- **accessories**
none
damper
- **designed with**
round top connection
lined plenum box (unassembled)
un-lined plenum box (unassembled)
face plate only, no connection



SIZE	DIMENSIONAL DATA			
	B	D	H1	H2
600 x 48	580	248	300	345

REMARKS

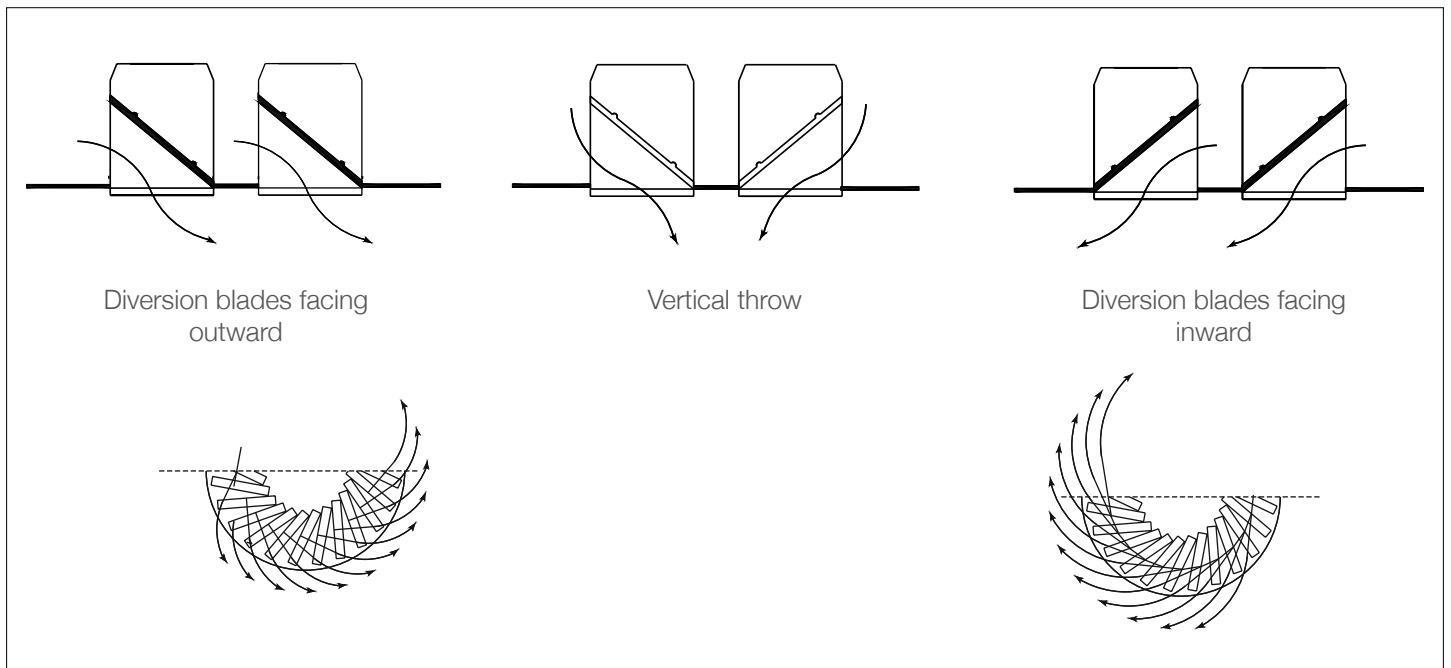
All dimensions are given in mm.
 For the diffuser with tegular edge
 Suitable for t-bar mounting

FK-YXIC PERFORMANCE DATA

SIZE	Air volume (m ³ /h)	Air volume (l/s)	Pressure loss (Pa)	Noise dB(A)	Throw (m)
600 x 48	360	100	6	13	1.7
	450	125	10	23	1.8
	540	150	15	27	1.9
	720	200	26	36	2.1
	900	250	33	40	2.5
	1080	300	60	46	3.2

Throw to 0.25 m/s based on 2.6 m ceiling height. Distance based on radial throw

BLADE POSITIONING



THROW DIRECTION

